

# WINGET

## OPERATORS HANDBOOK VIBRATORY COMPACTOR PLATE CP355HD & CP405HD



WINGET LIMITED  
PO BOX 41  
EDGEFOLD INDUSTRIAL ESTATE  
PLODDER LANE  
BOLTON, LANCS  
BL4 0LR  
Tel: ++ 44 (0) 1204 854650  
Fax: ++ 44 (0) 1204 854663  
parts@winget.co.uk  
service@winget.co.uk  
www.winget.co.uk



This manual covers  
the following models  
from serial numbers:

CP355HD – 140646 onwards

CP405HD – 160531 onwards

These are the original instructions in the English Language  
Issued by Winget Limited to comply with the requirements of  
EC Directive 2006/42/EC



# **Contents.**

2. Safety Precautions.
3. Safety Precautions. (continued)
4. Warranty.
5. Specifications.
6. Operating Instructions.
7. Operating Instructions. (continued)
8. Maintenance Schedule.
9. Declaration Of Conformity.
10. Declaration Of Conformity.(continued)
11. Vibration Assessment.
12. CP355HD & CP405HD Assemblies.
13. Parts List.

# **Safety Precautions.**

Read and study the following safety information prior to attempting to operate this equipment. In addition, ensure that every individual who operates this equipment is familiar with these safety precautions.

## **Warning – Lethal GASES!**

internal combustion engines discharge carbon monoxide, a poisonous, invisible, odourless gas. Death or serious injury may result if inhaled. Operate only in an open area with good ventilation. **Never use in a confined area.**

## **Warning - Dangerous Fuels!**

Use extreme caution when storing, handling and using fuels. The fuel is highly volatile and explosive in a vapour state. The engine must be stopped and left to cool before refuelling. Do not smoke, or have open flames around when refuelling.

## **Safety Guards.**

It is the users responsibility to ensure that All Guards & Shields are in place and in working order.

## **Ignition Systems.**

Breaker-less, Magneto and battery ignition systems **CAN CAUSE SEVERE ELECTRICAL SHOCKS.** Avoid contacting these units or the wiring assemblies.

## **Safe Dress & PPE.**

Do not wear loose clothing, rings, watches, etc near machinery. Appropriate PPE (Personal Protection Equipment) must be worn at all times, i.e, ear protection, eye protection, respiratory protection, in accordance with good working practices as advised by the local Health & Safety Agency.

## **Manual Handling.**

Be aware of the weight of the compactor plate do not attempt to lift the units without asking for assistance or using suitable lifting equipment.

### **Safe Operation.**

Keep children and bystanders off and away from the equipment. Ensure the equipment is maintained in a good serviceable condition. Report faults at once and do not use faulty equipment.

### **Trenching Operations**

Be aware of the dangers when working in trenches and deep excavations, ensure the walls are adequately shored up and there are adequate means of escape in the event of a collapse.

### **Warning Decals & Labels**

Always replace any warning or information decals or labels when they are defaced or damaged or become illegible.

# Warranty.

This is your warranty document Please read and keep this document safe.

1. Winget Ltd warrants each new machine against defects in material and workmanship under normal use and service for a period of six (6) months. This warranty commences on the first day that the machine is sold, assigned to a hire fleet or otherwise put to first use.
2. The obligation under this warranty is limited to the replacement or repair of parts by Winget Limited or at authorised Winget Limited Distributor.
3. Machines altered or modified without the written consent of Winget Limited voids this warranty. Abuse, negligence, accidents, lack of maintenance or the operation of machines in any other way than we recommend will void this warranty. This warranty shall not apply to machines repaired by other than Winget Limited or one of our appointed Distributors unless authorised in writing.
4. This warranty includes labour on all Winget products. Labour operations must be performed by Winget Limited or one of our authorised Distributors.
5. The cost of transportation and any/all expenses connected therewith, are not covered by this warranty.
6. Winget Limited reserves the right to inspect and render final decision on each and every warranty claim.
7. Winget Limited reserves the right to improve or make product changes without incurring any obligation to update, refit, or install the same on previously sold machines.
8. Winget Limited will not be held responsible for any liability or damage or injury directly or indirectly from design, material or operation of its products.
9. The foregoing warranty is expressly in lieu of all other warranties, expressed or implied, including the warranties of merchantability and fitness for use, and of all other obligation or liabilities on our part. We neither assume, nor authorise any other person to assume for us any other liability or warranty in connection with the sale or service of any of our products. This warranty shall not apply in respect to engines, air-motors and other third party components.



## Specifications.

Model	Weight (kg)	Plate W x L (mm)	Force (Kgf)	Speed (mtr/min)	Engine Make (hp)	Engine Speed (rpm)
CP355HD	60	360 x 510	1,030	20-25	Honda GX120QX 4hp	3,600
CP355HW	64	360 x 510	1,030	20-25	Honda GX120QX 4hp	3,600
CP405HD	64	410 x 510	1,030	20-25	Honda GX120QX 4hp	3,600
CP405HW	68	410 x 510	1,030	20-25	Honda GX120QX 4hp	3,600

W = Water kit

Winget Limited employ a policy of continual product improvement therefore these specifications are subject to change without prior notice.

Options available –

1. Neoprene Kit for the compaction of interlocking blocks.
2. Water kit for asphalt applications.
3. Wheels for easy transportation.

# Operating Instructions.

Winget Compaction equipment is intended for use in very severe applications. They are powered by reliable four-stroke petrol engines and are available in different sizes and with a selection of engines.

The Winget CP355HD & CP405HD plate compactors are intended to compact granular materials, sand/gravel mixes and asphalt.

They are **not** recommended for use on cohesive soils (clay) nor for an extended period of time on very hard surfaces such as concrete.

This manual contains only standard or standard option parts. Contact your local Winget Distributor for assistance in identifying parts/options not included in this manual.

## Before Operating this machine.

After receiving your new Winget Plate Compactor, inspect it for any visible damage caused during transit. Make sure that engine throttle works properly (see engine owners manual). Report any damage immediately.

Contact your local Winget Distributor should you have any problems.

Remember that it is the owner's responsibility for communication information on the safe and correct use of this unit to the operators.

1. Before operating, review related **SAFETY PRECAUTIONS** listed on page 2 of this manual.
2. Familiarise yourself with the operation of the equipment **before** starting the engine.
3. Know how to stop the equipment.
4. Make sure that all guards and shields are in place and functioning.
5. Ensure that Personal Protection Equipment is worn at all times.
6. Oil-Level – Check the oil level in the exciter and engine. For detailed information on engine services please refer to the engine owner's manual.
7. Air-Cleaner – Check to ensure that the element is in a good clean condition and properly installed.

8. Fuel Supply – Use only clean, fresh Four-Stroke petrol in all petrol engines.
9. Fuel Filter – If clogged or damaged, replace.

### **Engine.**

Refer to engine owner's manual for location of all controls and fixtures.

### **Starting the Engine.**

For detailed information refer to the engine owner's manual.

1. When starting the engine ensure that the throttle is in the idle position. Open fuel valve. Use choke if necessary remembering that a warm engine is unlikely to need choking.
2. Pull recoil starter cord. Once the engine starts return the choke (if used) to the off position. Let the engine warm in the idle position for one or two minutes.

### **Running the engine.**

1. After the engine is warm fully open the throttle. Compactor will begin vibrating and moving in a forward direction. The number of passes needed to reach the desired compaction level will depend on soil type, moisture and lift thickness.
2. When using the compactor on asphalt it is strongly advised that the unit is fitted with a water sprinkling system, which will ensure that the bottom of the plate compactor remains free of hot asphalt.

### **Stopping the engine.**

To stop the compactor from moving forward, return the engine throttle to idle.

1. Wherever possible it is advisable to allow the engine to idle for a short period of time prior to stopping.
2. Turn switch on engine to the "STOP" position (for detailed information, please refer to the engine owner's manual).
3. Turn off the fuel valve.

**Remember to stop the engine before:**

1. Adding fuel.
2. Leaving the machine unattended.
3. Making any repairs or adjustments to the machine.

## Maintenance Schedule.

System.	Maintenance.	Each use.	Every 50 hours	Every 200 hours	Annually.
Engine	Refer to Engine Owner's manual.	X			
Exciter	Check for Oil leaks	X			
Exciter	Change Oil			X	X
Exciter	Tighten Bolts		X		
Hardware	Check for any bolts that need to be retightened.		X		
Shock-Mounts	Check for cracks or damage.		X		
Base Plate	Clean and ensure that it is free of any build up of asphalt		X		
Safety Decals	Check that all decals are clearly visible	X			
Safety Guards and Shields	Check that all Guards and Shields are in place and working.	X			

Use only Winget Exciter Oil when topping up or changing the exciter oil. Available in a 6 pack (8oz) bottles or 1 Quart (32oz). Failure to use the correct oil could result in premature exciter failure.

The oil level is correct when the exciter oil level is 18mm or 11/16" up from the bottom of the exciter housing measured with a dipstick passed through the exciter housing oil drain/filler. Measure when the plate is level and the oil is cold. The oil drain filler plug may have a dipstick incorporated into it, in which case the oil level is correct when it is between the upper and lower marks on the dipstick.

Do not over fill the exciter, as this will generate excessive heat which may damage the exciter components.

**Remember –If repairs are needed use only genuine Winget parts purchased from an Authorised Distributor.**

# DECLARATION OF CONFORMITY

# WINGET

WINGET LIMITED  
Registered in England No. 1977110

Registered Office:  
P.O. Box 41  
Edgefold Industrial Estate  
Plodder Lane  
Bolton Lancs. BL4 0LS

Tel: (01204) 854650  
Fax: (01204) 854663 Parts/Purchasing  
Fax: (01204) 854664 Winget Sales  
Fax: (01204) 854663 Croker Sales  
Fax: (01204) 854663 Service/Engineering  
Fax: (01204) 854620 Accounts Enquiries  
E mail: [service@winget.co.uk](mailto:service@winget.co.uk)  
Web Site: [www.winget.co.uk](http://www.winget.co.uk)

We: WINGET LIMITED

of P.O. Box 41, Edgefold Industrial Estate, Plodder Lane, Bolton, Lancs,  
England. BL4 0LS declare that the product type:-

Machine Type:-                   Compactor Plate                  

Model:-                   CP355HD & CP405HD                  

Serial Number:-                   140646 on & 160531 on                  

To which this declaration relates, with a net installed power of 2.9Kw and  
having been tested in accordance with the Conformity Assessment Procedure  
detailed in Annexe VI of Directive 2000/14/EC and verified by:-

AV Technology Limited  
AVTECH House  
Birdhall Lane  
Cheadle Heath  
Stockport  
Cheshire  
SK3 0XU

is in conformity with the provisions of the Noise Emission in the Environment  
by Equipment for use Outdoors Directive 2000/14/EC. A representative sample  
of this equipment was tested and Sound Power Levels (Lwa) recorded of:-

**102db**

We guarantee under the provisions of the above Directive (2000/14/EC) that the  
Sound Power Levels (Lwa) for this equipment will not exceed:-

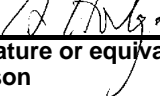
**105db**

We also declare that the above equipment is also in accordance with the  
following EC Directives:-

**2006/42/EC**

**2004/108/EC**

**Bolton 01.08.11**  
Place and date of issue

**S.Hodge**   
Name and signature or equivalent marking of  
authorised person

**Joint Managing Director**  
Position

The above named person is also responsible for holding the Technical Documentation applicable to the product to which this declaration relates and may be contacted at the address which appears at the head of this declaration

Please take care of this document as duplicate copies are not available.

## Vibration Assessment.

When comparing the figures below with those available from other manufacturers, it should be noted that as there are no standard formal guidelines from any legislative body regarding the testing protocol, all data is to be viewed as advisory at best.

Our testing protocol was developed to ascertain, what we consider to be, the maximum amount of hand/arm vibration that the operator could experience in the course of his/her work. Accordingly a trench was excavated and we used MOT Type 1 material, trying at all times to replicate site conditions exactly. The trench was 200mm deep and 3 metres long. The base course was made up of very tightly compacted material.

The results are below and are expressed in Metres per second, per second. Safe user time is based on the use during a normal 8 hour shift. **These figures are advisory only .**

**CP355HD** - 8.19 - Safe user time being 1 hour 45 minutes.

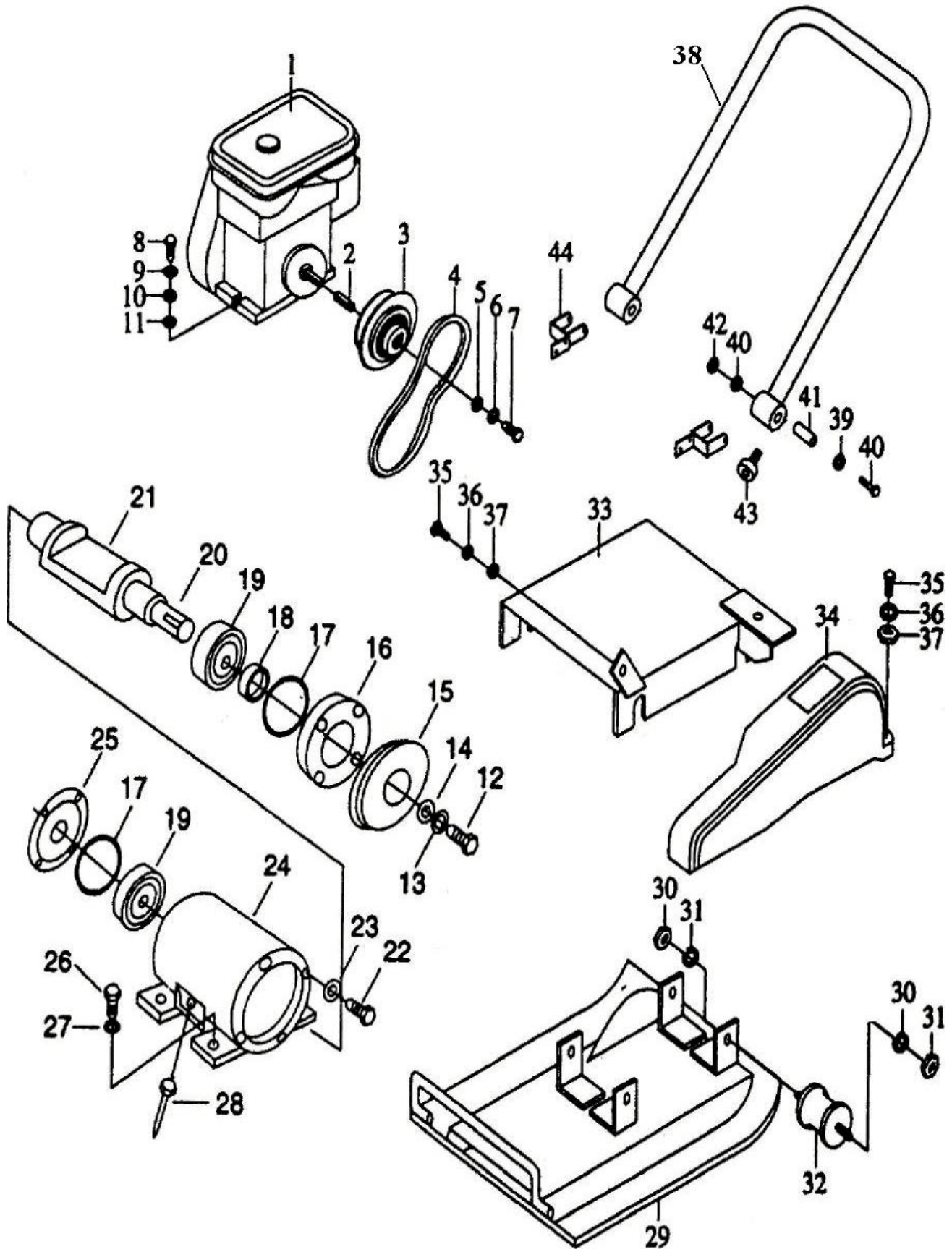
**CP405HD** – 9.65 – Safe user time being 1 hour 15 minutes.

**CP405HD** (fitted with wheel kit) 8.03 – Safe user time being 2 hours 8 minutes.

When comparing our figures with other manufacturers we strongly suggest that consideration is given to their testing protocol in order that a “level playing field” is established.

We believe that our figures are reflective of true site conditions, however if in doubt it is recommended that further tests under actual site conditions are conducted.

# Exploded Parts Diagram CP355HD & CP405HD





## Parts List For CP355HD & CP455HD Plate Compactors.

Item number.	Part number.	Product Description.	Quantity.
1	12860	Honda GX120QX Petrol	1
2	JO122	Key - Clutch	1
3	JO123	Centrifugal Clutch ¾"	1
4	01013	V-Belt A-30	1
5	JO125	Plain Washer	1
6	JO126	Spring Washer	1
7	JO127	Bolt	1
8	JO128	Bolt	4
9	JO129	Spring Washer	4
10	JO130	Washer	8
11	JO131	Nut	4
12	JO132	Pulley Securing Bolt	1
13	JO133	Spring Washer	1
14	JO134	Washer	1
15	JO135	Pulley	1
16	JO136	Housing Cover "A"	1
17	JO137	O-Ring	2
18	JO138	Oil Seal	1
19	JO139	Bearing	2
20	JO140	Key	1
21	JO141	Eccentric shaft (Vibrator)	1
22	JO142	Housing Cover Fitting Bolt	8
23	JO143	Spring Washer	8
24	JO144	Vibrator Housing	1
25	JO145	Housing Cover "B"	1
26	JO146	Bolt	4
27	JO147	Spring Washer	4
28	JO148	Oil Gauge	1
29	JO149	Base Plate CP355H	1
29B	JO149B	Base Plate CP405H	1
30	JO150	Lock Nut	8
31	JO151	Washer	8
32	JO152	Rubber Shock-Mount "A"	4
33	JO153	Engine Deck Assembly	1
34	17503	Belt Guard	1
35	JO155	Bolt	2
36	JO156	Spring Washer	2
37	JO157	Washer	2
38	JO158	Handle	1
39	JO159	Bolt	2
40	JO160	Washer	4
41	JO161	Rubber Shock-Mount "B"	2
42	JO162	Nut	2
43	JO163	Handle Mount Bracket	2





**WARNING**



**CALIFORNIA PROPOSITION 65 WARNING**

Engine exhaust and some of its constituents are known in the State of California to cause cancer, birth defects and other reproductive harm.