

WINGET

POKER DRIVE POWER UNITS & MECHANICAL VIBRATING POKERS



OPERATORS HANDBOOK

WINGET LIMITED
PO BOX 41
EDGEFOLD INDUSTRIAL ESTATE
PLODDER LANE
BOLTON
LANCS. U.K.
BL4 0LR

Tel: ++ 44 (0) 1204 854650

Fax: ++ 44 (0) 1204 854663

www.winget.co.uk

ISSUE 3 2016

CONTENTS

- 1 Introduction**
- 2 Declaration of Conformity**
- 4 Identification**
- 5 Warranty Terms & Conditions**
- 7 Safe Working**
- 12 Operation**
- 15 Repair & Overhaul**
- 20 Technical Information**
- 23 Parts Information**

The contents of this Handbook although correct at the time of publication, may be subject to alteration by the manufacturers without notice.

Winget Limited operate a policy of continuous product development therefore, some illustrations or text within this publication may differ from your equipment.

WARNING: The operator must read both this handbook and the Engine Operators Handbook and be familiar with all the controls before attempting to operate this equipment.

The contents of this handbook are designed as a guide to the machines controls, operation, working capacities and maintenance. It is not a training manual.

These are the original Instructions in the English Language issued by Winget Limited to comply with the requirements of EU Directive 2006/42/EC

DECLARATION OF CONFORMITY

WINGET

WINGET LIMITED
Registered in England No. 1977110

Registered Office:
P.O. Box 41
Edgefold Industrial Estate
Plodder Lane
Bolton Lancs. BL4 0LS

Tel: (01204) 854650
Fax: (01204) 854663 Parts/Purchasing
Fax: (01204) 854664 Winget Sales
Fax: (01204) 854663 Croker Sales
Fax: (01204) 854663 Service/Engineering
Fax: (01204) 854625 Accounts Enquiries
E mail: service@winget.co.uk
Web Site: www.winget.co.uk

We: Winget Limited

Of P.O. Box 41, Edgefold Industrial Estate, Plodder Lane, Bolton, Lancs, England BL4 0LR declare under our sole responsibility that the following product type:-

Machine Type:- Vibrating Poker Drive Units

Model:- JPDUHA, V, T & JPDUH

Serial Numbers:- 172021 Onwards

To which this declaration relates, with a maximum net installed power of 2.3Kw & 3.3Kw respectively. Having been tested in accordance with the Conformity Assessment Procedure detailed in Annexe V of Directive 2000/14/EC is in conformity with the provisions of the "Noise Emission in the Environment by Equipment for use Outdoors Directive 2000/14/EC". Representative samples of this equipment were tested and Sound Power Levels (Lwa) recorded of:-

94db

We guarantee under the provisions of the above Directive (2000/14/EC) that the Sound Power Levels for this equipment will not exceed:-

96db

We also declare that the above equipment is also in accordance with the following EC Directives:-

2006/42/EC

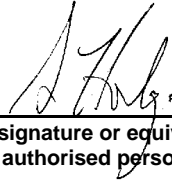
2004/108/EC

Bolton 25.04.16

Place and date of issue

S.Hodge

Name and signature or equivalent
marking of authorised person.



Joint Managing Director
Position

The above named person is also responsible for holding the Technical Documentation applicable to the product to which this declaration relates and may be contacted at the address which appears at the head of this declaration

Please take care of this document, as duplicate copies are not available.



Winget Limited assures you that if any of the parts identified within the Parts Section of this manual become defective due to faulty manufacture or materials within 6 months from the date of purchase the part will be repaired or replaced under warranty free of charge.

Warranty repairs *must* be carried out by a Winget Distributor, unless prior agreement has been agreed in writing with the warranty department at Winget Limited.

This warranty is given to the first owner and may be transferred to subsequent owners for the balance of the Warranty period.

Winget Limited's liability only extends to the costs of repair or replacement of the faulty parts and necessary labour charges involved in the repairs. The company accepts no liability for any consequential loss, damage or injury, resulting directly or indirectly from any defect in the goods.

Items not covered by Warranty and considered to be the customers responsibility include normal maintenance services; replacement of service items and consumables; replacement required due to abuse, accident, misuse or improper operation; replacement of wearable items.

All Warranty repairs to the petrol engine must be carried out by the engine manufacturers authorised distributor.

The Warranty will not apply where the equipment is modified, converted, or used for purposes other than those for which it was designed, unless clearance for the modifications etc. have been granted by Winget Limited in writing.

The Pre-delivery Inspection & Warranty Registration Document must be completed correctly and returned to Winget Limited within 7 days of the date of sale. Failure to do so could result in any subsequent Warranty claim being rejected.

No claim will be considered if other than genuine parts, which must be obtained via a Winget Distributor.

are used to effect a repair, or if lubricants other than those recommended by Winget Limited and the engine manufacturers are used.

The equipment must be serviced and maintained in accordance with the service schedules laid down in this handbook. Evidence that these have been complied with may be required before Warranty claims are reimbursed.

Winget Limited have a policy of continuous product improvement and reserve the right to change specifications without notice. No responsibility will be accepted for discrepancies, which may occur between the specification of machines and the descriptions contained in publications.

Safety is the responsibility of all persons working with and around this machine. Think “SAFETY” at all times. *Read and remember the contents of this and the Engine Operators Handbook.*

Any modifications to the machine will affect its working parameters and reduce built in safety factors. Refer to Winget Limited before fitting any non-standard equipment or parts. Winget Limited accept no responsibility for any modifications made after the machine has left the factory, unless previously agreed in writing. Winget Limited will accept no liability for damage to property, persons or the machine if failure is brought about due to such modifications, or fitment of spurious parts.

If in doubt as to the suitability of this machine for a particular task refer to Winget Limited.

***Never* commence work until the daily service checks have made carried out.**

***Always* report faults as soon as they are discovered.**

***Never* fill fuel tanks whilst the engine is running.**

***Never* leave the machine unattended with the engine running.**

***Always* check the engine oil with the engine in the horizontal position and level.**

***Never* use this equipment in areas of poor lighting.**

***Always* wear eye, hand and ear protection when using this equipment.**

***Always* keep the working area clear of people and animals**

***Always* stay alert and watch what you are doing.**

***Always* keep the working area around the equipment clear of obstructions or potential trip hazards.**

***Always* operate the equipment on level stable ground.**

***Always* operate the Vibrating Poker in a straight line, or gentle curve, do not kink, twist or tie in knots.**

Always ensure that any Warning, Safety or Advisory Decals attached to the machine are legible and clean, replace if damaged, defaced or missing.

Always know how to stop the engine in an emergency.

Always avoid contact with the exhaust muffler, this can get very hot when the engine is running and remains so for some time afterwards.

Never attempt to increase the engine speed in an effort to speed up the vibration process, the Vibrating Poker is designed to operate at a speed of 2850-3000rpm, operating the Vibrating Poker at higher or lower speeds will result in premature failure.

Never hold the head of the Vibrating Poker in a hand whilst the engine is running, this can cause damage to the nerves in the fingers (White Finger) due to exposure to excessive hand arm vibration.

Always hold the Vibrating Poker Flexible Drive approximately 1 metre behind the Vibrating Head or as close to the power source as possible.

Never stand on the head of a Vibrating Poker this can cause damage to nerves due to exposure to excessive vibration levels.

Never allow the Vibrating Poker to run for prolonged periods unless immersed in wet concrete, vibration levels will be increased and without the cooling effects of the wet concrete the Poker Head will overheat quickly leading to premature failure. When used on slab work Vibrating Pokers are more effective when inserted so they lie horizontally.

Never allow the Vibrating Head to become trapped in the rebars or touch the shuttering or bottom on the formwork, this will cause the Nose Cap or Vibrating Head to unscrew.

Never allow the Vibrating Poker Flexible Drive to hang over scaffolding, formwork or rebars.

Never attempt to put your hand or fingers into the PTO aperture when the engine is running.

Never operate this equipment under the influence of alcohol or drugs, (many forms of medication can cause drowsiness) or when tired.

Never operate the equipment whilst wearing loose fitting clothing or jewellery, they may become entangled in the moving parts causing serious injury.

Never allow unauthorised or untrained personnel to operate this equipment.

Never use ether based cold start aids in aerosol cans to aid cold or difficult starting.

Never allow vehicles to drive over the Poker Flexible Drive, the casing may be damaged or crushed leading to premature failure.

Never work on the equipment or attempt to carry out adjustments whilst the engine is running.

Never use unless all the guards are correctly installed.

Never attempt to repair electrically driven equipment with the power supply connected always disconnect from the power supply.

Never run the engine in an enclosed or confined area, exhaust fumes in enclosed areas can kill.

Never attempt to insert the Poker Flexible Drive into the PTO whilst the engine or electric motor are running.

Never drag the power unit around site by pulling on the attached Flexible Poker.

Never smoke whilst filling the fuel tank, mop up any fuel spills immediately and in any event before running the engine and allow time for any vapours from the spilled fuel to disperse before starting the engine.

Always operate electrically driven equipment connected to the power supply via a RCD device.

Always ensure the power supply voltage is the correct voltage and connecting cables are of sufficient size to prevent voltage drop.

Always fully unwind any extension cables to prevent overheating and excessive power loss.

Always protect trailed extension leads from damage from vehicles etc and to prevent trip hazards, do not run through wet areas.

Always, where possible, work on or close to engines or equipment when carrying out servicing or any maintenance, only when they are stopped, if this is not practical, remember to keep tools, test equipment and all parts of your person well away from moving parts.

Never allow unqualified personnel to attempt to repair, remove or replace any part of the machine.

Always obtain advice before mixing oils; some are incompatible, if in doubt completely drain, flush and refill.

Many liquids used in this machine are harmful if taken internally or splashed into the eyes. In the event of accidentally swallowing oils or fuels, seek qualified medical assistance and advice.

Always dispose of waste oils and fuels into designated waste oil storage tanks. If storage tanks are not available, consult your distributor or local authority for the addresses of local designated disposal points. Improperly discarded waste oils pose a threat to wildlife. It is illegal to dispose of waste oil into drains, or water courses or to bury it. The Environment Agency has the power to impose heavy fines for breaches of the above advice.

Never allow oils and fuels to come into regular contact with skin. This can lead to serious skin diseases, including, medical evidence suggests, skin cancer. **ALWAYS** wear protective gloves when handling oils and fuels whether topping up, draining or refilling.

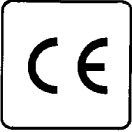
Always wash your hands if oils or fuels come into contact with the skin.

Always store fuels in small quantities in the correct specially designed containers, which can be securely fastened. Store fuel in a cool, well ventilated store away from sources of ignition.

Always top up the fuel tank at the end of a working day or shift to prevent the formation of condensation on the inside of the fuel tank. Use clean measures and funnels to prevent contamination with dirt etc.

WARNING & ADVISORY DECALS

The following warning and advisory decals may be applied to the equipment.



'CE' Decal



Wear Eye Protection



Read operators manual



Wear Ear Protection

Never commence work until the daily service checks have been carried out.

STARTING THE ENGINE

Petrol Driven Units

Read the engine operators manual before attempting to start the engine.

Check the oil and fuel levels.

Engage the Vibrating Poker Flexible Drive into the PTO ensuring the locking pin is engaged, it may be necessary to slowly pull the recoil starter to rotate the crankshaft to allow the drive dogs to correctly engage.

Turn on the fuel tap.

Close the choke lever, do not use the choke if the engine is warm or the ambient air temperature is high.

Turn the engine on/off switch to “on”

Place one hand on the Frame of the Power Unit to steady it then slowly pull the starter grip lightly until resistance is felt, then pull briskly. Do not wrap the starter cord around the hand, serious personal injury could be sustained if the engine “kicks back” or backfires.

Open the choke as the engine warms up.

Do not allow the Vibrating Poker to operate for prolonged periods unless immersed in wet concrete to prevent the generation of excess heat, which will result in premature failure.

STOPPING THE ENGINE**Petrol Driven Units**

Close the fuel tap and turn the engine switch to off.

In an EMERGENCY turn the engine switch to off.

***Never* commence work until the daily service checks have been carried out.**

STARTING THE POWER UNIT**Electrically Driven Units**

Read the engine operators manual before attempting to start the motor.

Engage the Vibrating Poker Flexible Drive into the PTO ensuring the locking pin is engaged.

Ensure the power supply is correct and connected via an RCD Device.

Turn on the power supply

Do not allow the Vibrating Poker to operate for prolonged periods unless immersed in wet concrete to prevent the generation of excess heat, which will result in premature failure.

STARTING THE POWER UNIT**Electrically Driven Units**

Turn off the power supply and disconnect.

Vibrating Flexible Poker.

Vibrating Flexible Drive Pokers are precision tools manufactured specifically for the hand compaction of wet concrete.

Immersion in wet concrete provides a level of cooling necessary for long life, prolonged operation in open air will cause excessive heat resulting in premature failure.

In operation the Vibrating Flexible Drive should be held in a gloved hand at least one metre from the Poker Head.

In operation the Vibrating Poker should be free to vibrate and must not be allowed to become trapped between reinforcements or shuttering.

When vibrating concrete it is bad practice to allow the Vibrating Poker to remain in the same place for prolonged periods.

Excessive vibration, repetitive motions or uncomfortable positions may over extended periods, be harmful to your hands and arms. Stop using the Vibrating Poker if discomfort, tingling feelings or pain occurs. Advise your employer/supervisor and seek medical advice before continuing.

All sizes of Winget Vibrating Flexible Pokers operate on the tried and tested free pendulum principle. The highly stressed pendulums are manufactured from special alloy steels in order to ensure trouble free operation and durability under the arduous conditions in which they operate. The pendulum is mounted in a double row self aligning bearing and is connected directly to the inner core of the flexible drive.

If, after starting the power unit, the Poker Head fails to vibrate, tap the nose cap sharply on a hard surface, this will set the out-of-balance forces of the pendulum operating correctly.

When operating the Vibrating Flexible Poker keep the Flexible Drive as straight as possible and ensure it does not twist or knot and avoid sharp bends.

When not in use store in a dry area with the Flexible Drive as flat and straight as possible, preferably supported off a cold floor and allow the Poker Head to hang straight down thus preventing the Pendulum from distorting the oil seals

Winget MP26VB/32VB Vibrating Poker used on 9 x 22MM Drive.

DISMANTLING PROCEDURE

Hold the Poker body securely in a vice and unscrew the nose cap, note the cap has a left-hand thread.

Using a suitable drift, drive the pendulum out through the nose end, taking care not to damage the thread, retain the oil seal bush if undamaged.

From the nose end, drive out the removal ring, two oil seals and bearing.

The oil seals and bearing must be discarded and replaced by new on assembly.

ASSEMBLY PROCEDURE

Thoroughly clean the Poker body, paying particular attention to the bore and 'O' ring diameters.

Using a suitable tool fit a new removal ring and new oil seal into the Poker body with the open side of the oil seal facing outwards.

Thoroughly clean the pendulum and insert it into the nose end of the Poker body ensuring the oil seal is not damaged or disturbed. Note no grease should be applied to the pendulum or inner surfaces of the body.

Fit a new bearing and oil seal bush.

Using a suitable tool fit a second new oil seal with the open side facing outwards. The oil seals prevent the ingress of grease from the Flexible Drive into the Poker body. Therefore both seals face the same direction i.e. outwards.

Thoroughly clean the Poker nose and fit a new 'O'ring over the thread tight up against the shoulder.

Ensure that the taper at the end of the pendulum and the bore of the nose are clean, dry and free of any lubricant.

Screw the nose into the Poker body and fully tighten, note left-hand thread. There should be metal to metal contact between the mating surfaces.

Note: if the Poker is not to be fitted to a Flexible Drive immediately do not fully tighten the nose cap.

REMOVAL OF POKER FROM FLEXIBLE DRIVE

Secure the Poker body in a vice and remove the Poker nose cap (left hand thread) unscrew the Poker end cover adaptor, (left-hand thread)

Withdraw the cover adaptor to expose the inner core connector

Hold the inner core by clamping a pair of pipe grips into the inner core connector, using a suitable open-ended spanner over the flat at the nose end of the pendulum, turn the pendulum in an anti-clockwise direction thus disconnecting the inner core from the Poker (right-hand thread)

If no work is to be carried out to the Poker, loosely refit the Poker nose cap with a new 'O' ring.

FITTING POKER TO FLEXIBLE DRIVE

Secure the Poker body in a vice and remove the Poker nose cap (left-hand thread)

On the 22mm drive only, fit a new 'O' ring over the thread against the shoulder of the drive cover adaptor.

Clamp the inner core connector with a pair of pipe grips.

Screw the connector onto the pendulum by turning the pendulum in a clockwise direction (right-thread) using a suitable open-ended spanner over the flat at the nose end.

Attach the drive cover to the bearing housing and fully tighten (left-hand thread)

Ensure that the taper at the end of the pendulum and the bore of the nose are clean, dry and free of any lubricant.

Screw the nose into the Poker body and fully tighten, note left-hand thread, there should be metal to metal contact between the mating surfaces.

Winget MP40/50/60 & 70 Vibrating Poker used on 13 x 32MM Drive.

DISMANTLING PROCEDURE

Hold the Poker body securely in a vice and unscrew the nose cap, note the cap has a left-hand thread.

Using a suitable drift, drive the pendulum out through the nose end, taking care not to damage the thread.

Unscrew the bearing housing from the Poker, note left-hand thread retain the oil seal bush if undamaged.

From the nose end, drive out the oil seal.

Drive out the bearing and oil seal from the bearing housing and discard as they must be replaced by new on assembly.

ASSEMBLY PROCEDURE

Thoroughly clean the Poker body, paying particular attention to the bore and 'O' ring diameters.

Fit a new 'O' over the thread tight against the shoulder at the drive end of the Poker body.

Using a suitable tool fit a new oil seal into the Poker body with the open side of the oil seal facing outwards.

Thoroughly clean the pendulum and insert it into the nose end of the Poker body ensuring the oil seal is not damaged or disturbed. Note no grease should be applied to the pendulum or inner surfaces of the body.

Fit a new bearing and oil seal bush to the pendulum.

Using a suitable tool fit a second new oil seal with the open side facing outwards. The oil seals prevent the ingress of grease from the Flexible Drive into the Poker body. Therefore both seals face the same direction i.e. outwards.

Screw the bearing housing onto the body, (left-hand thread) there should be metal to metal contact between the mating surfaces.

Ensure that the taper at the end of the pendulum and the bore of the nose are clean, dry and free of any lubricant.

Note: if the Poker is not to be fitted to a Flexible Drive immediately do not fully tighten the nose cap.

Winget MK2 Flexible Drive Servicing.

Remove the coupling from the Flexible Drive by clamping the motor end cover adaptor on the spanner flats provided and unscrew the claw coupling, note: this has a left-hand thread.

Withdraw the inner core from the drive end ensuring that it does not contact any dirt, this can be accomplished by coiling the inner core in the hands as it is removed.

Wipe the inner core clean and examine for wear or damage, replace if either is evident.

Examine the outer cover for damage and kinking, replace if necessary.

If reusing the existing inner core remove the hexagon drive tag and washer from the inner core and fit them to the other end. This will extend the working life of the inner core by distributing the wear equally.

Apply grease (Lithium BP LS3 or equivalent) sparingly to the inner core so that it is coated in a fine film, be particularly careful to leave only the lightest of coatings within 500mm of the Poker end.

Replace the inner core inside the outer cover, taking care the inner is not contaminated with dirt as it is inserted.

On the 22mm drive only, fit a new 'O' ring.

Winget Drive Couplings

DISMANTLING PROCEDURE

Hold the driving claw in a vice fitted with soft jaws.

Place a suitable hexagonal key into the spindle and unscrew (right-hand thread) separating the drive claw from the spindle, it may be necessary to apply a sharp blow to the key with a hammer.

Using suitable pliers remove the circlip now exposed

Drive out the spindle, bearings and spacer from the drive end.

Inspect all parts for wear or damage and discard the bearings.

ASSEMBLY PROCEDURE

Hold the driving claw in a vice fitted with soft jaws.

Using a suitable tool fit a new bearing into the housing.

Fit the spindle from the Poker end and fit the spacer onto the spindle.

Fit the second new bearing, using a suitable tool.

Refit the circlip.

Screw on the claw.

SPECIFICATIONS WINGET FLEXIBLE POKER DRIVES

Model	Diam (mm)	Head Length (mm)	Frequency (rpm)	Drive Length (mtr)	Drive Size (mm)	Weight (Kg)	Amplitude half Tip
MP40	40	423	12500	6	13x32	19	.77
MP50	50	423	12000	6	13x32	24	.83
MP60	60	423	11000	6	13x13	26	.93
MP75	75	423	13000	6	13x32	29	.52

SPECIFICATIONS WINGET ELECTRIC MOTOR POWER UNITS

Model	Voltage	HP	Kw	Speed (rpm)	Weight (Kg)
Light Duty					
JPDUEL1	110/1/50	1.0	.75	2800	26
JPDUEL2	240/1/50	1.0	.75	2800	22
JPDUEL3	380/415/3/50	1.0	.75	2800	19
Heavy Duty					
JPDUEH1	110/1/50	2.0	1.5	2800	33
JPDUEH2	240/1/50	2.0	1.5	2800	29
JPDUEH3	380/415/3/50	12.0	1.5	2800	23

SPECIFICATIONS HONDA PETROL ENGINES**Engine Honda GX120 (JPDUHA, V, T)**

Model	GX120 single cylinder, petrol
Type	4 Stroke, over head camshaft
Horsepower (Net)	2.3Kw (3.3hp) @ 3,000 rpm
Spark Plug	BPR6ES (NGK)
Air Cleaner	Dry, paper element
Lubricating System	Splash
Oil Capacity	0.6Litre (0.63 Imp gt)
Fuel Tank Capacity	2.0Litre (0.43Imp gal)
Recommended Op Temp	-15C to 40C (5F to 104F)
Guaranteed Sound Power	96 Lwa

Engine Honda GX160 (JPDUH)

Model	GX160 single cylinder, petrol
Type	4 Stroke, over head camshaft
Horsepower (Net)	3.3Kw (4.3hp) @ 3,000 rpm
Spark Plug	BPR6ES (NGK)
Air Cleaner	Dry, paper element
Lubricating System	Splash
Oil Capacity	0.6Litre (0.63 Imp gt)

Fuel Tank Capacity	3.1Litre (0.68Imp gal)
Recommended Op Temp	-15C to 40C (5F to 104F)
Guaranteed Sound Power	96 Lwa

LUBRICANTS**Engines**

Honda Petrol Engines:- 10W30, 10W40, 15W40 API Classification SF or SH

HAND ARM VIBRATION DECLARATION 2006/42 EC

Hand Arm Vibration Tests carried out on similar equipment would indicate that when used correctly the Hand Arm Vibration levels would not exceed the 2.5m/s^2 exposure action value (EAV)

The absence of a harmonised test code and the variable conditions under which this equipment may be used allows only representative figures to be quoted

Any modifications carried out in service to the standard configuration may adversely affect the vibration figures quoted above.

In these circumstances a risk assessment to conform to the Control of Vibrations at Work Regulations 2005 should be carried out and the advice of the manufacturers sought.



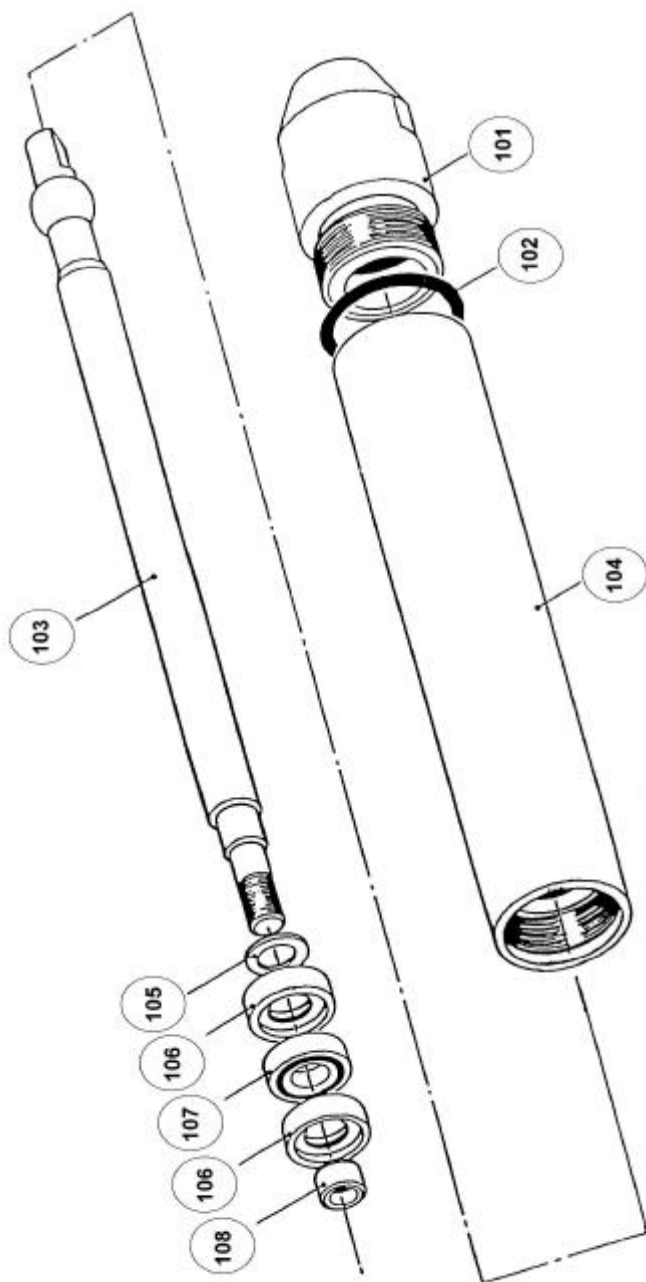
POKER DRIVE POWER UNITS & MECHINCAL VIBRATING POKERS

PARTS SECTION

PARTS INFORMATION**24****WINGET 22mm MP26 & 32 VB SERIES POKER HEAD**

Description	Quantity	Part Number	
		MP26	MP32
Head Assembly	1	JVB100-26	JVB100-32
Nose Cap	1	JVB101-26	JVB101-32
Seal Ring	1	JVB102-26	JVB102-32
Pendulum	1	JVB103	JVB103
Cylinder	1	JVB104-26	JVB104-32
Removal Ring	1	JVB105	JVB105
Oil Seal	2	JVB106	JVB106
Bearing	1	JVB107	JVB107
Sleeve	1	JVB108	JVB108

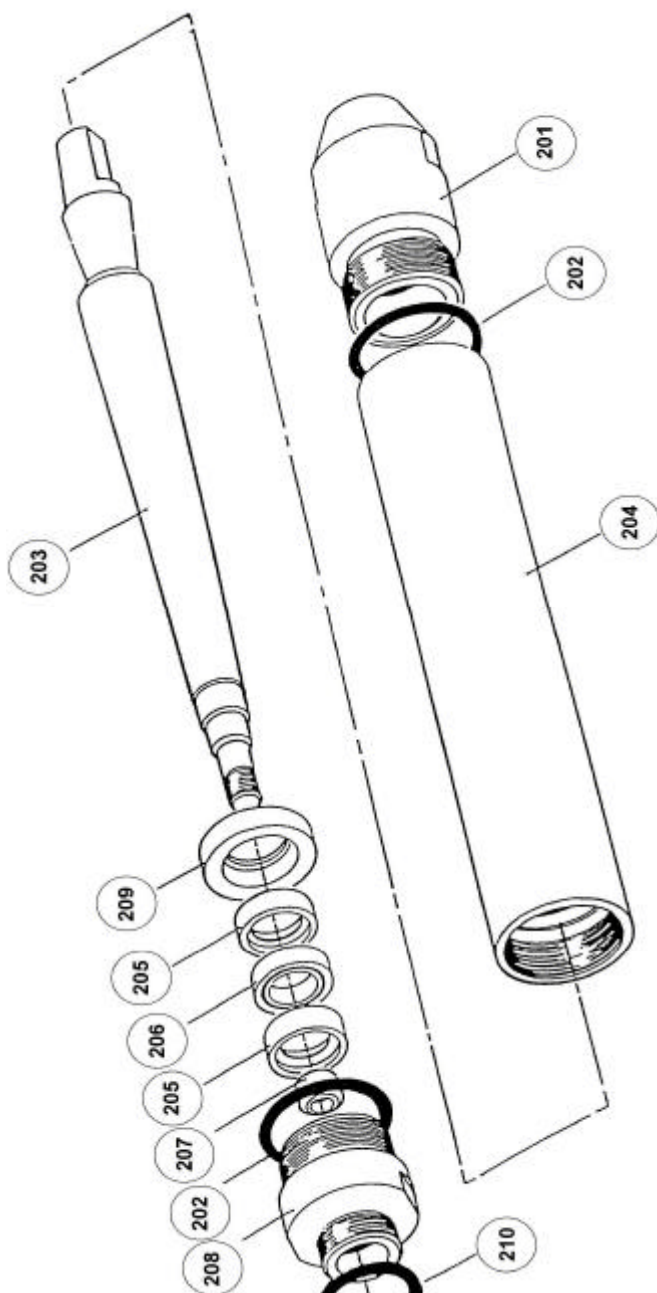
WINGET 22mm MP26 & 32 VB SERIES POKER HEAD



PARTS INFORMATION**26****WINGET 32mm MP40, 50, 60 & 75 VT SERIES POKER HEAD**

Description	Quant	Part Number			
		MP40	MP50	MP60	MP75
Head Assembly	1	JVT200-40	JVT200-50	JVT200-60	JVT200-75
Nose Cap	1	JVT201-40	JVT201-50	JVT201-60	JVT201-75
Seal Ring	1	JVT202-40	JVT202-50	JVT202-60	JVT202-75
Pendulum	1	JVT203-40	JVT203-50	JVT203-60	JVT203-75
Cylinder	1	JVT204-40	JVT204-50	JVT204-60	JVT204-75
Oil Seal	1	JVT205-40	JVT205-50	JVT205-60	JVT205-75
Bearing	1	JVT206-40	JVT206-50	JVT206-60	JVT206-75
Sleeve	1	JVT207-40	JVT207-50	JVT207-60	JVT207-75
Bearing Housing	1	JVT208-40	JVT208-50	JVT208-60	JVT208-75
Seal Carrier	1	JVT209-40	JVT209-50	JVT209-60	JVT209-75
'O' Ring	1	JVT210	JVT210	JVT210	JVT210

WINGET 32mm MP40, 50, 60 & 75 VT SERIES POKER HEAD

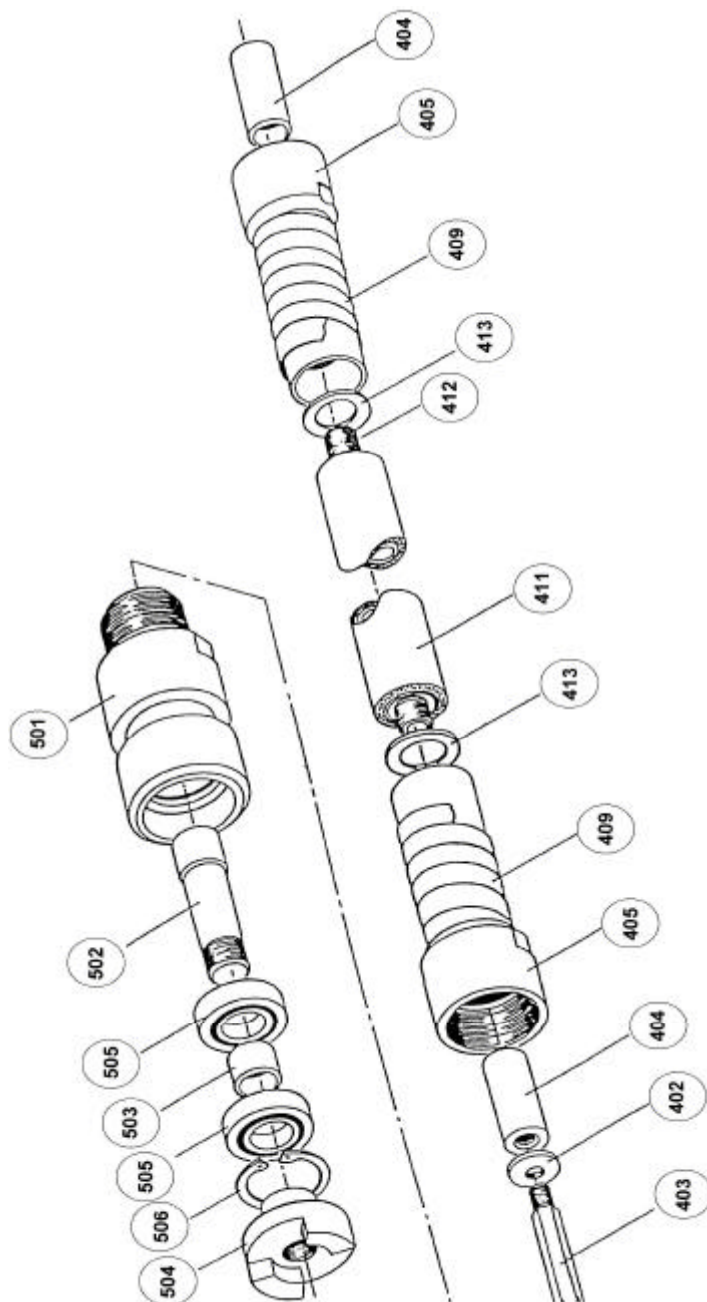


WINGET FLEXIBLE DRIVE & COUPLING ASSEMBLY

Description	Quant	Part Number	
		VB TYPE (MP26-32)	VT TYPE (MP40-75)
Drive Assembly	1	JVB400	JVT400
Inner Core Assembly	1	JVB401 (JVT404,412)	JVT401 (JVT404,412)
Retaining Washer	1	JVB402	JVT402
Hexagon Tab	1	JVB403	JVT403
Connector	2	JVB404	JVT404
Union PTO End	1	JVB405	JVT405
Union Vib End	1	JVB406	JVT406
Cover	1	JVB407	JVT407
Spring	1	JVB408	JVT408
Outer Cover	1	JVB411	JVT411
Shaft	1	JVB412	JVT413
Washer	1		JVT413

Description	Quantity	Part Number
Coupling Assembly	1	JVT500
Housing	1	JVT501
Spindle	1	JVT502
Spacer	1	JVT503
Claw	1	JVT504
Bearing	2	JVT505
Circlip	1	JVT506

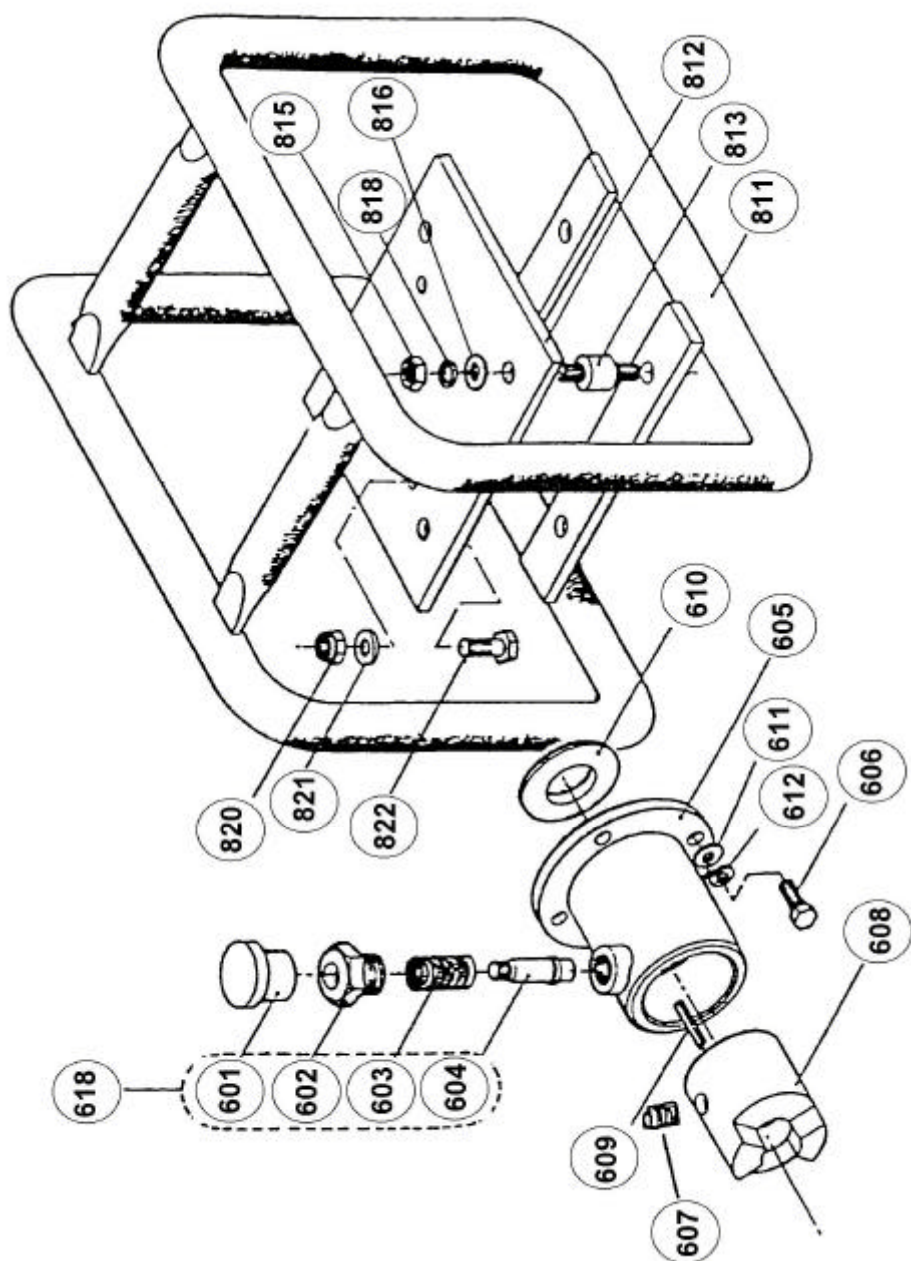
WINGET FLEXIBLE DRIVE & COUPLING ASSEMBLY



WINGET POKER DRIVE PTO & ENCLOSED FRAME ASSEMBLY

Description	Quantity	Part Number
PTO Assembly	1	JV600
Knob	1	JV601
Hexagon Housing	1	JV602
Spring	1	JV603
Plunger	1	JV604
Housing	1	JV605
Bolt	4	JV606
Setscrew	1	JV607
Drive Dog	1	JV608
Key	1	JV609
Location Washer	1	JV610
Flat Washer	4	JV611
Spring Washer	4	JV612
Plunger Assembly	1	JV618
Frame Assembly	1	JV800
Frame	1	JV811
Base	1	JV812
Nut	4	JV820
Flat Washer	8	JV821
Bolt	4	JV822

WINGET POKER DRIVE PTO & ENCLOSED FRAME ASSEMBLY



**WINGET ELECTRIC POKER DRIVE PTO & ENCLOSED FRAME
ASSEMBLY**

Description	Quantity	Part Number	
		Heavy Duty	Light Duty
PTO Assembly	1	JV600EH	JV600EL
Knob	1	JV601	JV601
Housing Hexagonal	1	JV602	JV602
Spring	1	JV603	JV603
Plunger	1	JV604	JV604
Housing	1	JV605EH	JV605EL
Bolt	4	JV606H	JV606L
Setscrew	1	JV607	JV607
Drive Dog	1	JV608EH	JV608EL
Key	1	JV609EH	JV609EL
Washer Flat	4	JV611	JV611
Washer Spring	4	JV612	JV612
Plunger Assembly	1	JV618	JV618
Frame Assembly	1	JV800EH	JV800EL
Frame	1	JV811EH	JV811EL
Nut	4	JV815EH	JV815EL
Washer Flat	4	JV816EH	JV816EL
Bolt	4	JV822EH	JV822EL
Switch Ass (25 amp)	1	JV840-25	JV840-25
Switch Ass (32 amp)	1	JV840-32	JV840-32
Motor Electric	1	JV850EH	JV850-EL

WINGET ELECTRIC POKER DRIVE PTO & ENCLOSED FRAME ASSEMBLY

