

0CC50-M02280EN

# P R E F A C E

This parts catalog is the 1st edition of L48V5VSJ1C1AABR for EP BARRUS.

Published : September, 2019

# Contents

OCC50-M02280

Fig. No. Fig. Name

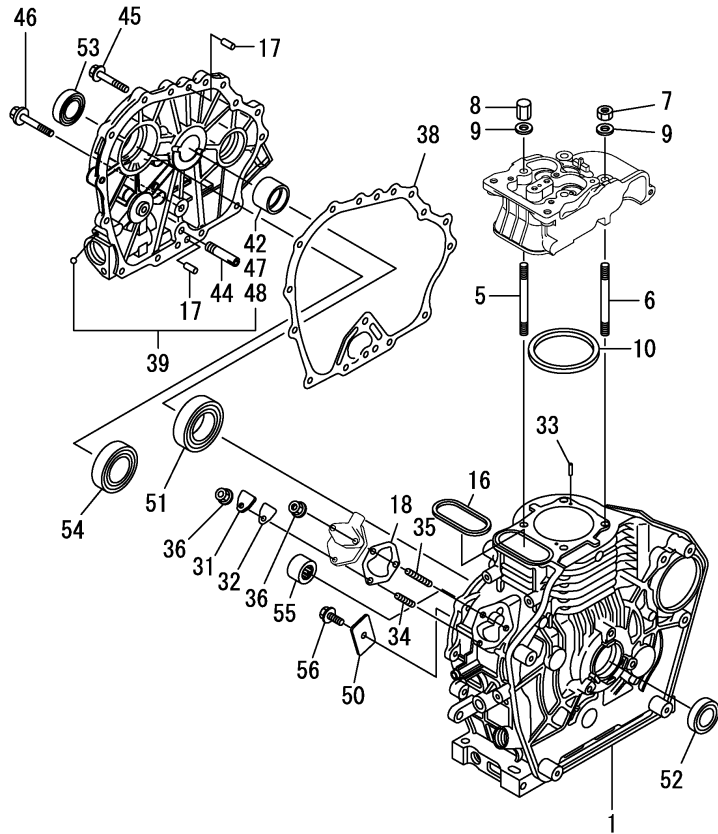
## ENGINE

1. CYLINDER BLOCK
2. DRAIN PLUG
3. LABEL
4. CYLINDER HEAD & BONNET
5. SUCTION MANIFOLD
6. AIR CLEANER
7. EXHAUST MUFFLER
8. CAMSHAFT
9. CRANKSHAFT
10. FLYWHEEL
11. PISTON & CONNECTING ROD
12. BALANCER SHAFT
13. LUB. OIL PUMP & GOVERNOR
14. SWITCH CAP(OIL PRESSURE)
15. COVER
16. COOLING FAN CASE
17. FUEL INJECTION PUMP & FUEL INJECTION VALVE
18. FUEL TANK & FUEL PIPE
19. CONTROL DEVICE
20. RECOIL STARTER
21. STARTER MOTOR
22. ELECTRIC PARTS
23. DYNAMO
24. ACCESSORY

Fig. No. Fig. Name

25. GASKET SET & TOOL

Fig.1. CYLINDER BLOCK



(A)=L48V5VSJ1C1AABR  
(B)=  
(C)=

(D)=  
(E)=  
(F)=

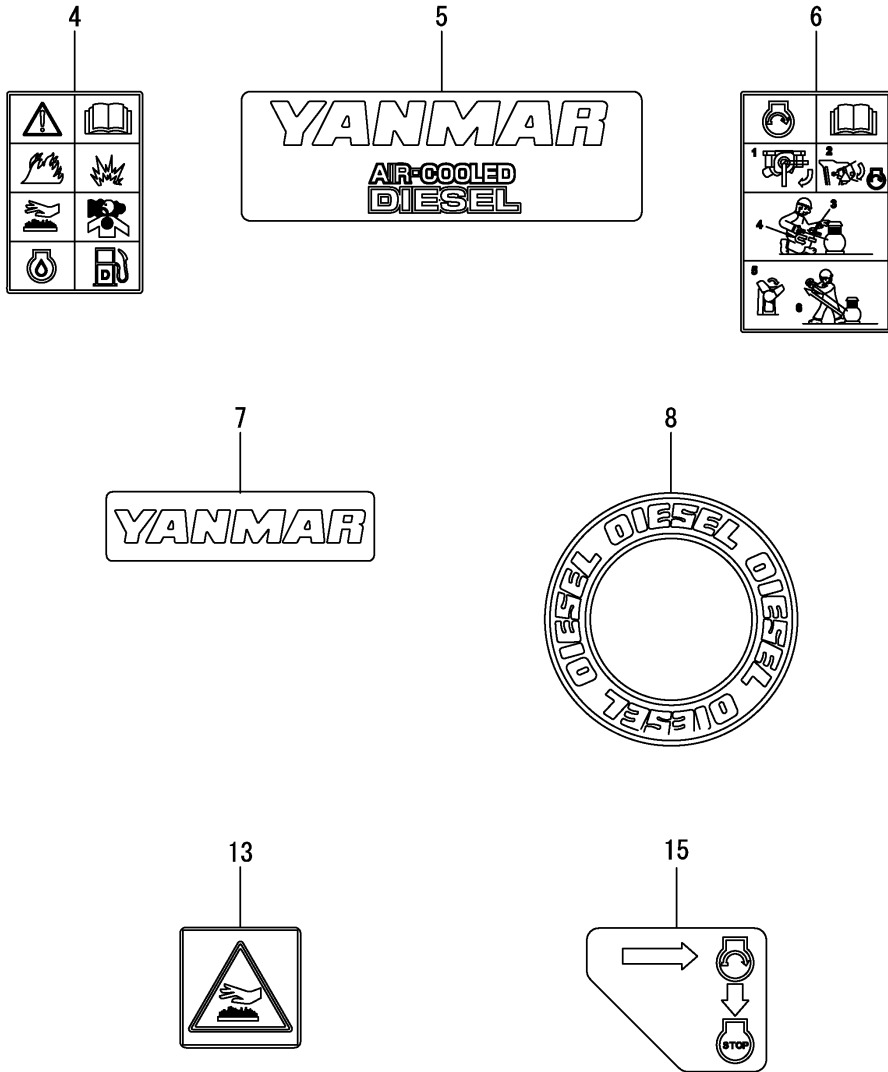
No.	Lev.	Parts No.	Description	Q'ty						I	R
				(A)	(B)	(C)	(D)	(E)	(F)		
1	1	1141A0-01010	BLOCK ASSY, CYLINDER	1							
5	1	114299-01200	BOLT, HEAD A	2							
6	1	114299-01210	BOLT, HEAD B	2							
7	1	114299-01220	NUT, CYLINDER HEAD A	2							
8	1	114299-01230	NUT, CYLINDER HEAD B	2							
9	1	124950-01250	WASHER, HEAD BOLT	4							
10	1	114295-01330	GASKET, HEAD	1							
16	1	114299-01380	O-RING	1							
17	1	114299-01600	PIN, PARALLEL 8X12	2							
18	1	114299-01800	SHIM SET, PUMP	1							
31	1	114299-01830	COVER, PUMP	1							
32	1	114250-01841	GASKET, COVER	1							
33	1	22312-040080	PIN, PARALLEL M4X 8	2							
34	1	26226-060182	STUD, M6X 18	1							
35	1	26226-060222	STUD, M6X 22	2							
36	1	26366-060002	NUT, M6	3							
38	1	114299-01410	GASKET, CRANK CASE	1							
39	1	114111-01460	COVER, CRANKCASE RS	1							
42	2	114740-02110	BEARING, MAIN	1							1
44	1	114299-35150	PIPE, OIL INLET	1							
45	1	26106-060252	BOLT, M6X 25 PLATED	14							
46	1	26106-080352	BOLT, M8X 35 PLATED	1							
47	1	114740-02200	BEARING, MAIN 0.25OS	1							2
48	1	114740-02210	BEARING, MAIN 0.50OS	1							3
50	1	114299-02030	RETAINER, BEARING	1							
51	1	114250-02113	BEARING, HR6306G3C3	1							
52	1	114299-02220	SEAL, OIL	1							
53	1	160210-02220	SEAL, OIL 25X41.2X8	1							
54	1	24101-062050	BEARING, BALL 6205C3	1							
55	1	24162-152112	BEARING, 152112	1							
56	1	26106-080122	BOLT, M8X 12 PLATED	1							

Remarks

- (1) Spare parts.
- (2) Over-sized (O.S.=0.25) parts.
- (3) Over-sized (O.S.=0.50) parts.



Fig.3. LABEL



(A)=L48V5VSJ1C1AABR  
(B)=  
(C)=

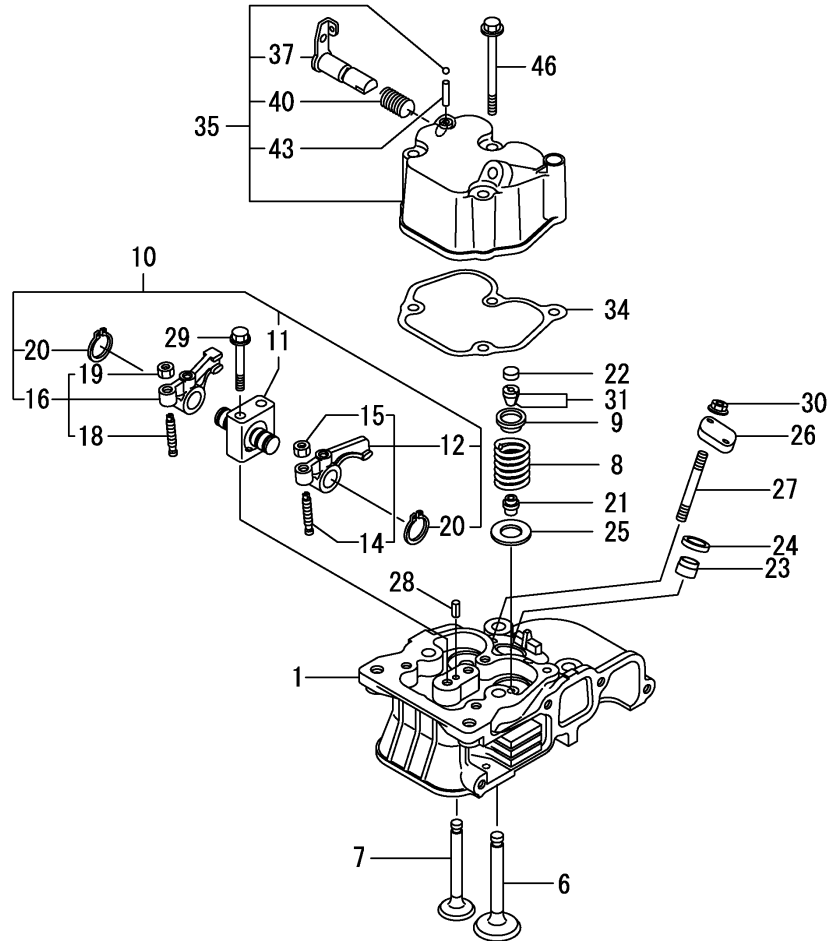
(D)=  
(E)=  
(F)=

No.	Lev.	Parts No.	Description	Q'ty						I	R
				(A)	(B)	(C)	(D)	(E)	(F)		
4	1	114220-07100	LABEL, CAUTION	1							
5	1	114299-07101	LABEL, YANMAR MARK A	1							
6	1	114220-07110	LABEL, HOW TO START	1							
7	1	114299-07111	LABEL, YANMAR MARK B	1							
8	1	114299-07160	LABEL, DIESEL	1							
13	1	114220-07130	LABEL, HOT SURFACE	1							
15	1	114220-07151	LABEL, CONSTANT SPEE	1							

Fig.4. CYLINDER HEAD & BONNET

(A)=L48V5VSJ1C1AABR  
(B)=  
(C)=

(D)=  
(E)=  
(F)=

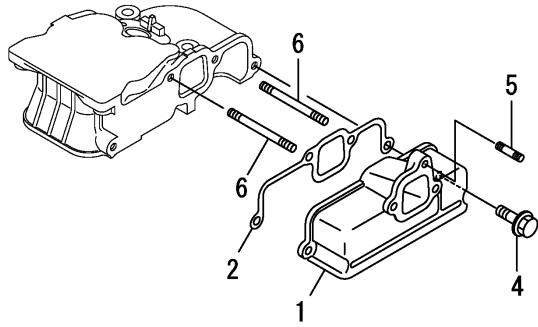


No.	Lev.	Parts No.	Description	Q'ty						I	R
				(A)	(B)	(C)	(D)	(E)	(F)		
1	1	11429C-11030	HEAD ASSY, CYLINDER	1							
6	1	11429C-11100	VALVE, INTAKE	1							
7	1	11429C-11110	VALVE, EXHAUST	1							
8	1	114120-11120	SPRING, VALVE	2							
9	1	114250-11180	RETAINER, SPRING	2							
10	1	11429C-11250	SUPPORT ASSY, ROCKER	1							
11	2	11429C-11260	SUPPORT, ROCKER ARM	1							
12	2	11429C-11650	ARM ASSY, ROCKER INT	1							
14	3	114250-11240	SCREW, VALVE ADJUST	1							
15	3	26856-060002	NUT, M6	1							
16	2	11429C-11660	ARM ASSY, ROCKER EXH	1							
18	3	114250-11240	SCREW, VALVE ADJUST	1							
19	3	26856-060002	NUT, M6	1							
20	2	22242-000120	RING, 12	2							
21	1	114250-11341	SEAL, VALVE STEM	2							
22	1	119260-11370	CAP, VALVE	2							
23	1	114240-11450	PROTECTOR, NOZZLE	1							
24	1	114240-11550	SEAT, NOZZLE	1							
25	1	114299-11600	WASHER, VALVE SPRING	2							
26	1	114299-11901	RETAINER, VALVE	1							
27	1	114110-11910	STUD, M6X65	2							
28	1	22351-040008	PIN, SPRING 4.0X 8	1							
29	1	26106-060452	BOLT, M6X 45 PLATED	2							
30	1	26366-060002	NUT, M6	2							
31	1	27310-055001	COTTER, 5.5	2							
34	1	114771-11310	GASKET, BONNET	1							
35	1	114295-11951	BONNET ASSY, HEAD	1							
37	2	114250-03591	LEVER ASSY, DECOMP	1							
40	2	114299-03640	SPRING, DECOMPRESSION	1							
43	2	22312-030160	PIN, PARALLEL M3X16	1							
46	1	26106-060552	BOLT, M6X 55 PLATED	3							

Fig.5. SUCTION MANIFOLD

(A)=L48V5VSJ1C1AABR  
 (B)=  
 (C)=

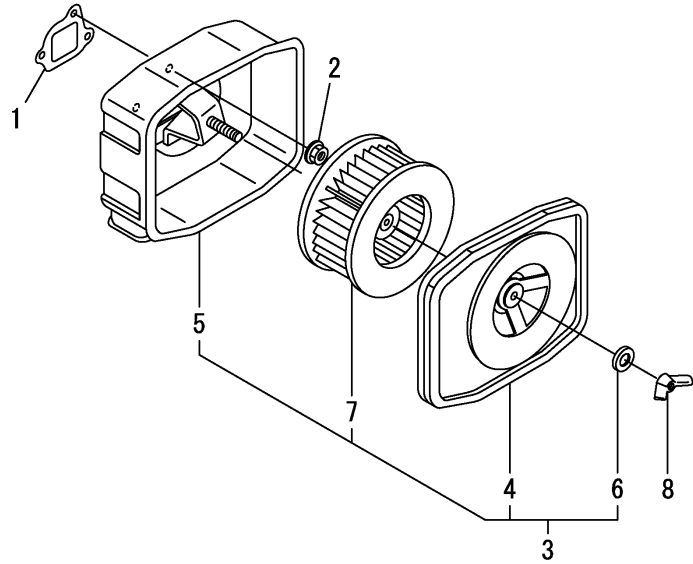
(D)=  
 (E)=  
 (F)=



No.	Lev.	Parts No.	Description	Q'ty						I	R
				(A)	(B)	(C)	(D)	(E)	(F)		
1	1	114771-12010	PIPE, AIR INTAKE A	1							
2	1	114771-12200	GASKET, INTAKE PIPE	1							
4	1	26106-060252	BOLT, M6X 25 PLATED	2							
5	1	26226-060142	STUD, M6X 14	1							
6	1	26226-060602	STUD, M6X 60	2							



Fig.6. AIR CLEANER



(A)=L48V5VSJ1C1AABR  
(B)=  
(C)=

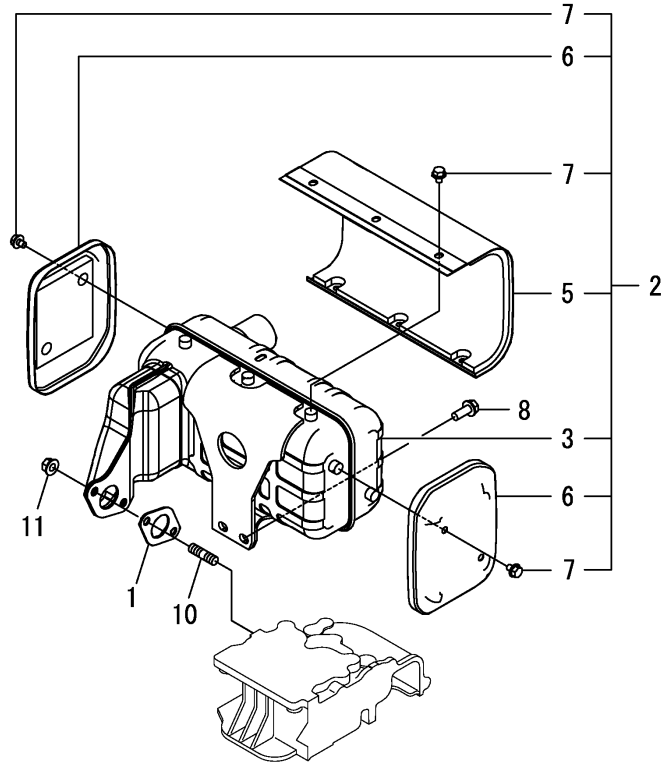
(D)=  
(E)=  
(F)=

No.	Lev.	Parts No.	Description	Q'ty						I	R
				(A)	(B)	(C)	(D)	(E)	(F)		
1	1	114299-12210	GASKET, AIR CLEANER	1							
2	1	114299-12300	NUT	3							
3	1	114120-12550	CLEANER ASSY, AIR	1							
3-1	1	114250-12570 (A=EM26874)	CLEANER, AIR	1							R
4	2	114250-12520	COVER, AIR CLEANER	1							
5	2	114250-12530	CASE ASSY, CLEANER	1							
6	2	114250-12560	WASHER, SEAL M6	1							
7	2	114250-12581	ELEMENT, AIR CLEANER	1							
8	1	114250-12550	NUT, WING M6	1							

Fig.7. EXHAUST MUFFLER

(A)=L48V5VSJ1C1AABR  
 (B)=  
 (C)=

(D)=  
 (E)=  
 (F)=

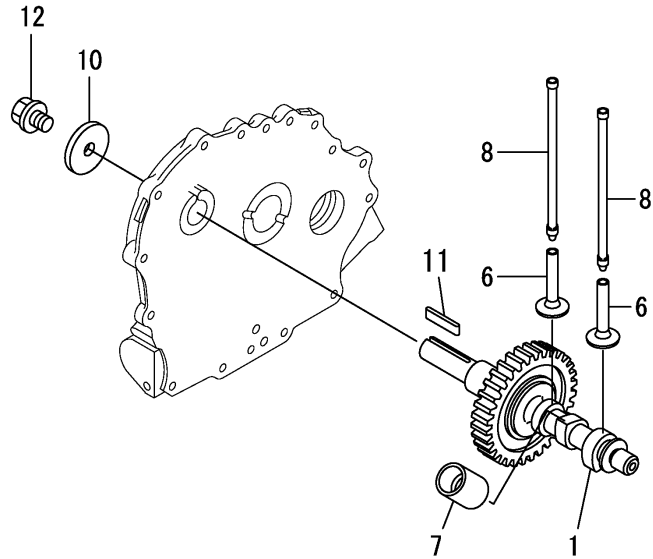


No.	Lev.	Parts No.	Description	Q'ty						I	R
				(A)	(B)	(C)	(D)	(E)	(F)		
1	1	114299-13200	GASKET, MUFFLER	1							
2	1	1141A0-13500	MUFFLER ASSY	1							
3	2	1141A0-13560	MUFFLER	1							
5	2	1143A0-13700	COVER, MUFFLER A	1							
6	2	1143A0-13710	COVER, MUFFLER B	2							
7	2	114252-13950	BOLT, M6X8	10							
8	1	26106-080202	BOLT, M8X 20 PLATED	2							
10	1	26216-080182	STUD, M8X 18	2							
11	1	26306-080002	NUT, M8	2							

Fig.8. CAMSHAFT

(A)=L48V5VSJ1C1AABR  
 (B)=  
 (C)=

(D)=  
 (E)=  
 (F)=



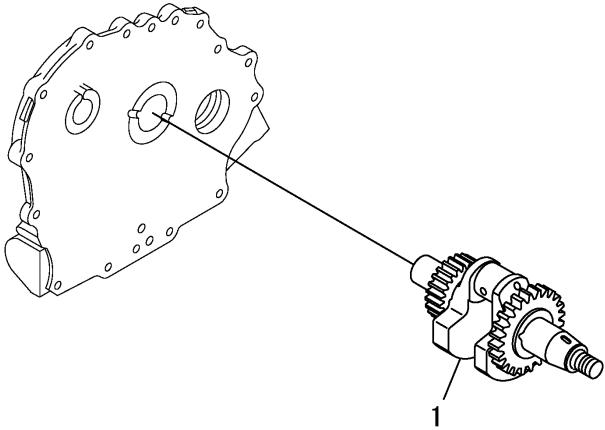
No.	Lev.	Parts No.	Description	Q'ty						I	R
				(A)	(B)	(C)	(D)	(E)	(F)		
1	1	11429C-14590	CAMSHAFT ASSY, RS	1							
1-1	1	11429C-14600	CAMSHAFT ASSY,RS	1							N
(A=EM26874)											
6	1	114299-14200	TAPPET	2							
7	1	114771-14260	TAPPET	1							
8	1	114120-14400	ROD ASSY, PUSH	2							
10	1	160310-14550	WASHER, PULLEY	1							
11	1	22512-050300	KEY, 5X 30	1							
12	1	26106-080202	BOLT, M8X 20 PLATED	1							

### Fig.9. CRANKSHAFT

(A)=L48V5VSJ1C1AABR  
(B)=  
(C)=

(D)=  
(E)=  
(F)=

No.	Lev.	Parts No.	Description	Q'ty						I	R
				(A)	(B)	(C)	(D)	(E)	(F)		
1	1	114771-21700	CRANKSHAFT ASSY, S	1							




---

---

---

---

---

---

---

---

---

---

---

---

---

---

---

---

---

---

---

---

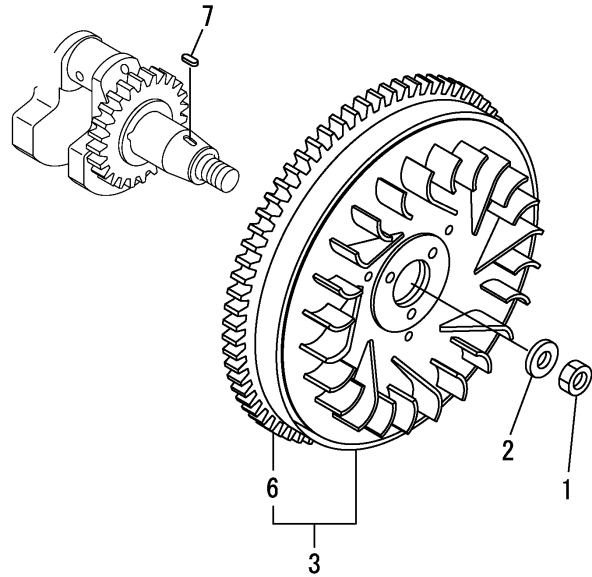
---

---

---

---

Fig.10. FLYWHEEL



(A)=L48V5VSJ1C1AABR  
(B)=  
(C)=

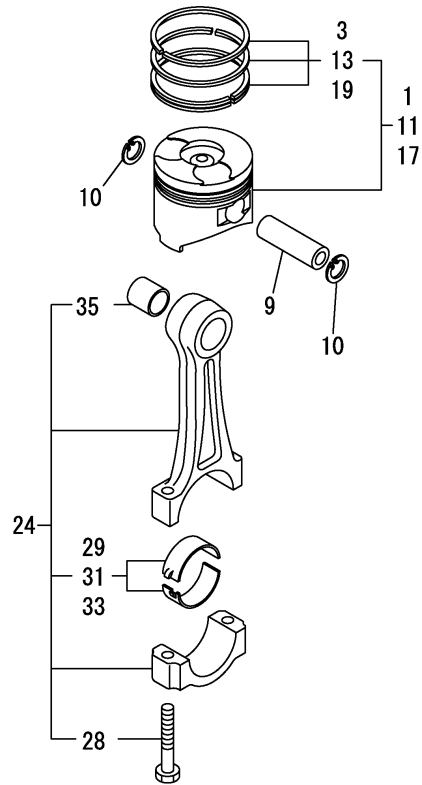
(D)=  
(E)=  
(F)=

No.	Lev.	Parts No.	Description	Q'ty						I	R
				(A)	(B)	(C)	(D)	(E)	(F)		
1	1	114299-21220	NUT, WHEEL	1							
2	1	114299-21550	WASHER, FLYWHEEL	1							
3	1	114299-21590	FLYWHEEL ASSY, DE	1							
6	2	114299-21600	GEAR, RING	1							
7	1	22512-040120	KEY, 4X 12	1							

Fig.11. PISTON & CONNECTING ROD

(A)=L48V5VSJ1C1AABR  
(B)=  
(C)=

(D)=  
(E)=  
(F)=



No.	Lev.	Parts No.	Description	Q'ty						I	R
				(A)	(B)	(C)	(D)	(E)	(F)		
1	1	714120-22720	PISTON ASSY, D	1							
3	2	714295-22500	RING SET, PISTON	1							
9	1	114299-22300	PIN, PISTON D=19	1							
10	1	22252-000190	RING, 19	2							
11	1	714120-22630	PISTON ASSY, 0.25 OS	1							1
13	2	714295-22560	RING SET, PISTON .25	1							1
17	1	714120-22590	PISTON ASSY, 0.50 OS	1							2
19	2	714295-22570	RING SET, PISTON .50	1							2
24	1	11412C-23700	ROD ASSY, CONNECTING	1							
28	3	114110-23200	BOLT, CONNECTING ROD	2							
29	2	114740-23600	METAL, CRANK PIN	1							
31	1	114740-23610	METAL, CRANK PIN 0.25	1							1
33	1	114740-23620	METAL, CRANK PIN 0.50	1							2
35	1	114740-23910	BUSH, PISTON PINN	1							3

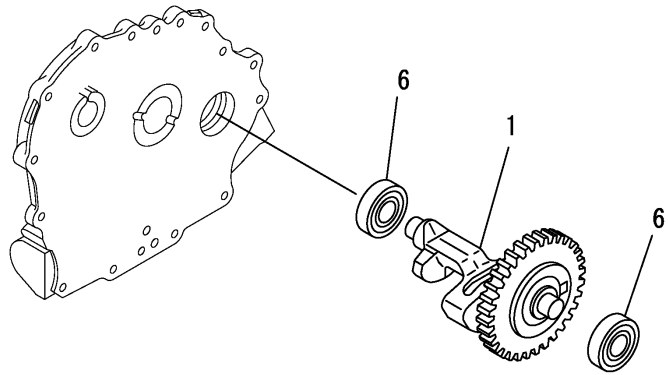
Remarks

- (1)Over-sized(O.S.=0.25) parts.
- (2)Over-sized(O.S.=0.50) parts.
- (3)Spare parts.

Fig.12. BALANCER SHAFT

(A)=L48V5VSJ1C1AABR  
 (B)=  
 (C)=

(D)=  
 (E)=  
 (F)=

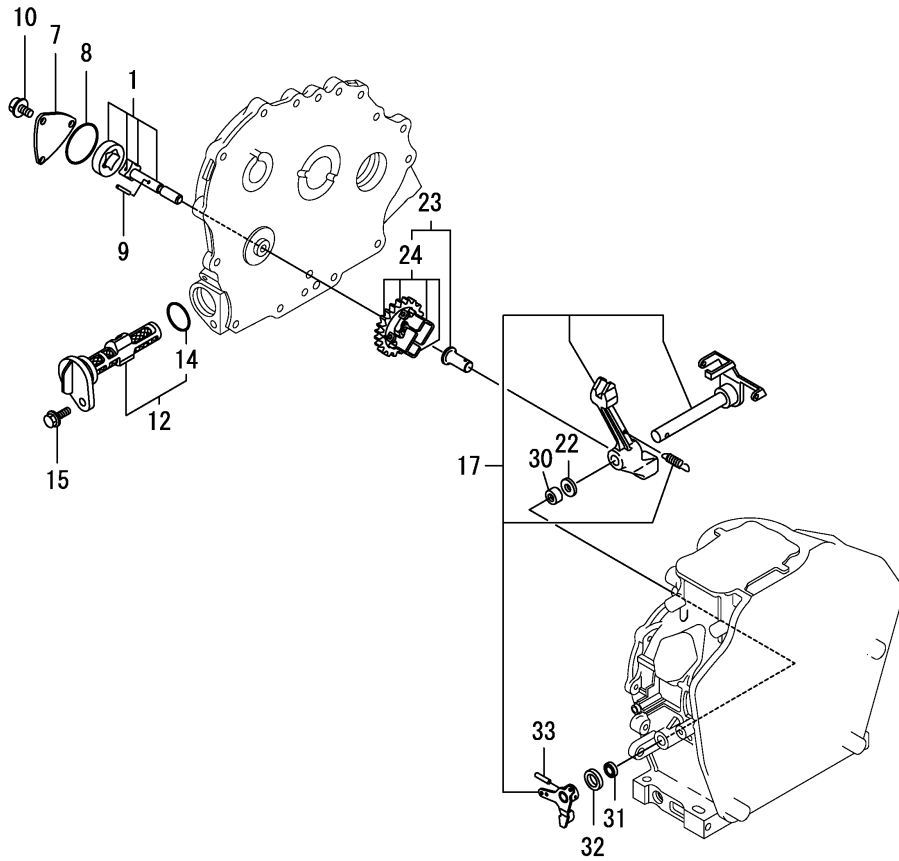


No.	Lev.	Parts No.	Description	Q'ty						I	R
				(A)	(B)	(C)	(D)	(E)	(F)		
1	1	714770-28531	SHAFT ASSY, BALANCER	1							
6	1	24101-062020	BEARING, BALL 6202C3	2							

Fig.13. LUB. OIL PUMP & GOVERNOR

(A)=L48V5VSJ1C1AABR  
(B)=  
(C)=

(D)=  
(E)=  
(F)=



No.	Lev.	Parts No.	Description	Q'ty						I	R
				(A)	(B)	(C)	(D)	(E)	(F)		
1	1	114250-32010	PUMP ASSY, OIL	1							
7	1	114299-32070	COVER, OIL PUMP	1							
8	1	114299-32570	O-RING, PUMP COVER	1							
9	1	22312-030160	PIN, PARALLEL M3X16	1							
10	1	26106-060122	BOLT, M6X 12 PLATED	3							
12	1	114299-35110	FILTER ASSY, OIL	1							
14	2	24341-000224	O-RING, 1AS22.4	1							
15	1	26106-060162	BOLT, M6X 16 PLATED	1							
17	1	114295-61170	LEVER, GOVERNOR NO.2	1							1
22	1	114299-61190	WASHER, GOVERNOR	1							
23	1	114299-61700	GOVERNOR ASSY	1							
24	2	114299-61210	WEIGHT ASSY,GOVERNOR	1							
30	1	114770-61520	BEARING, NEEDLE	2							
31	1	114299-61600	SEAL, OIL	1							
32	1	114770-61610	WASHER, THRUST	1							
33	1	22322-030200	PIN, TAPER 3X20	1							

Remarks

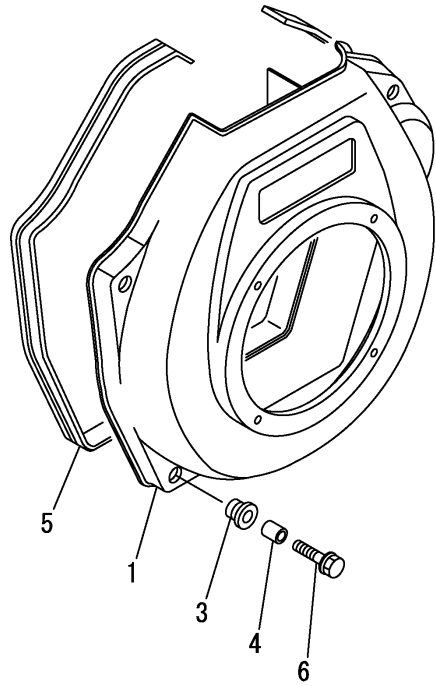
(1)On a guarantee of quality, component parts shall not be sold.







Fig.16. COOLING FAN CASE

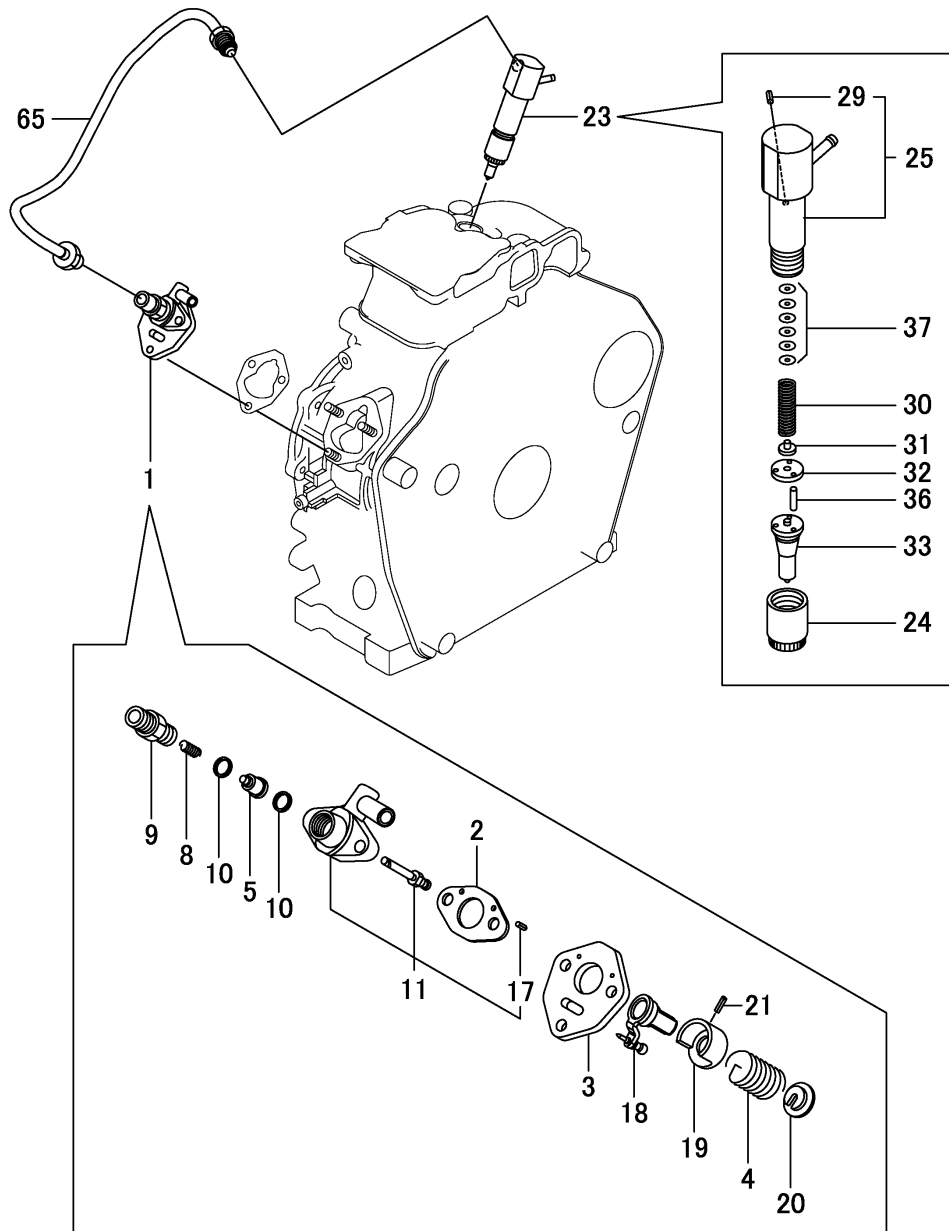


(A)=L48V5VSJ1C1AABR  
(B)=  
(C)=

(D)=  
(E)=  
(F)=

No.	Lev.	Parts No.	Description	Q'ty						I	R
				(A)	(B)	(C)	(D)	(E)	(F)		
1	1	114295-45150	CASE, COOLING FAN	1							
3	1	114299-45301	RUBBER, FAN CASE	4							
4	1	114299-45310	COLLAR, FAN CASE	4							
5	1	114120-45330	SEAL, FAN CASE	1							
6	1	114299-45350	BOLT, FAN CASE	4							

Fig.17. FUEL INJECTION PUMP & FUEL INJECTION VALVE

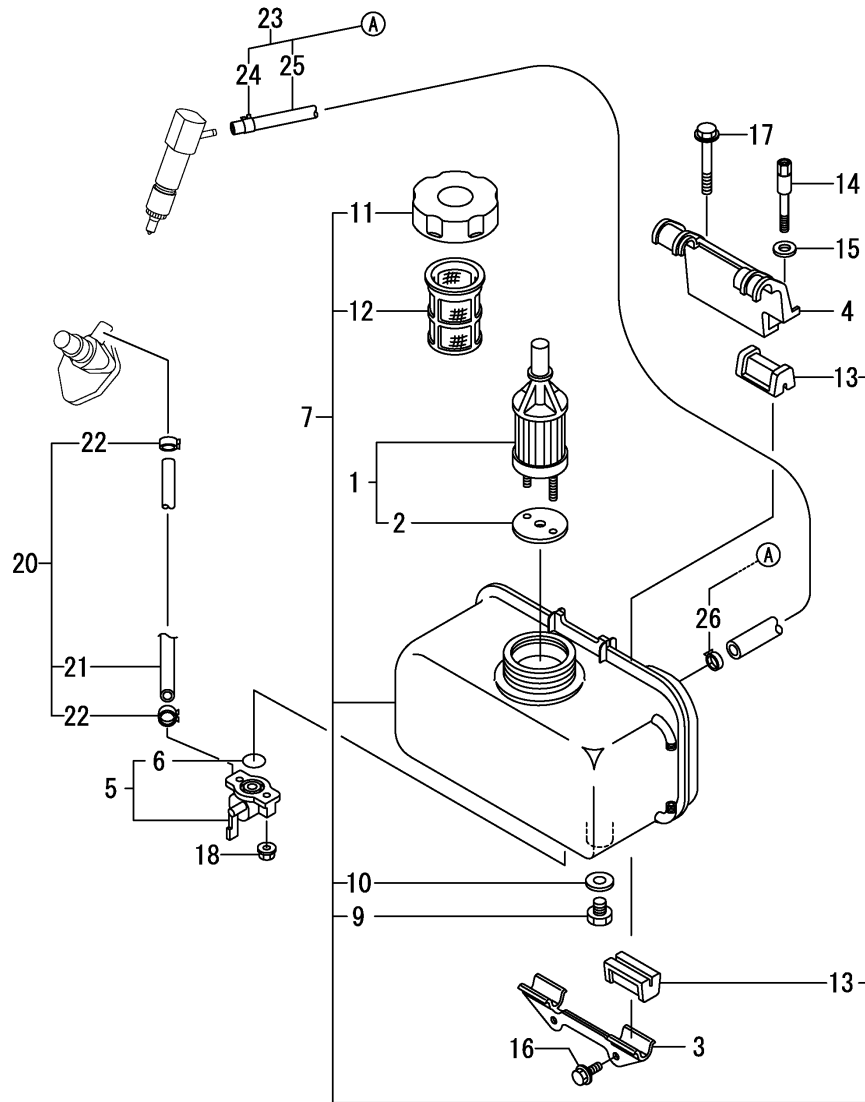


(A)=L48V5VSJ1C1AABR  
(B)=  
(C)=

(D)=  
(E)=  
(F)=

No.	Lev.	Parts No.	Description	Q'ty						I	R
				(A)	(B)	(C)	(D)	(E)	(F)		
1	1	714139-51210	PUMP ASSY, INJECTION	1							
2	2	105546-51020	GASKET, PUMP BODY	1							
3	2	114250-51080	PLATE	1							
4	2	114250-51160	SPRING, PLUNGER	1							
5	2	114250-51300	VALVE ASSY, DELIVERY	1							
8	2	105546-51330	SPRING, DELIVERY	1							
9	2	114250-51340	HOLDER, DELIVERY	1							
10	2	124550-51350	GASKET, DELIVERY	2							
11	2	114350-51200	BODY ASSY, PUMP	1							
17	4	22351-020006	PIN, SPRING 2.0X 6	2							
18	2	114250-51500	LEVER, CONTROL	1							
19	2	114250-51640	SEAT, SPRING A	1							
20	2	114250-51650	SEAT, SPRING B	1							
21	2	22351-030008	PIN, SPRING 3.0X 8	1							
23	1	7141A0-53100	VALVE ASSY,INJECTION	1							
24	2	114250-53080	NUT, NOZZLE	1							
25	2	114139-53100	HOLDER ASSY, NOZZLE	1							
29	3	22351-025005	PIN, SPRING 2.5X 6	1							
30	2	114250-53120	SPRING, NOZZLE	1							
31	2	114250-53130	SEAT, SPRING	1							
32	2	114250-53140	SPACER, VALVE STOP	1							
33	2	1141A0-53000	VALVE ASSY,INJECTION	1							
36	2	114250-53210	PIN, POSITIONING	2							
37	2	119803-53400	SHIM SET	1							
65	1	114120-59800	PIPE ASSY, INJECTION	1							

Fig.18. FUEL TANK & FUEL PIPE



(A)=L48V5VSJ1C1AABR  
(B)=  
(C)=

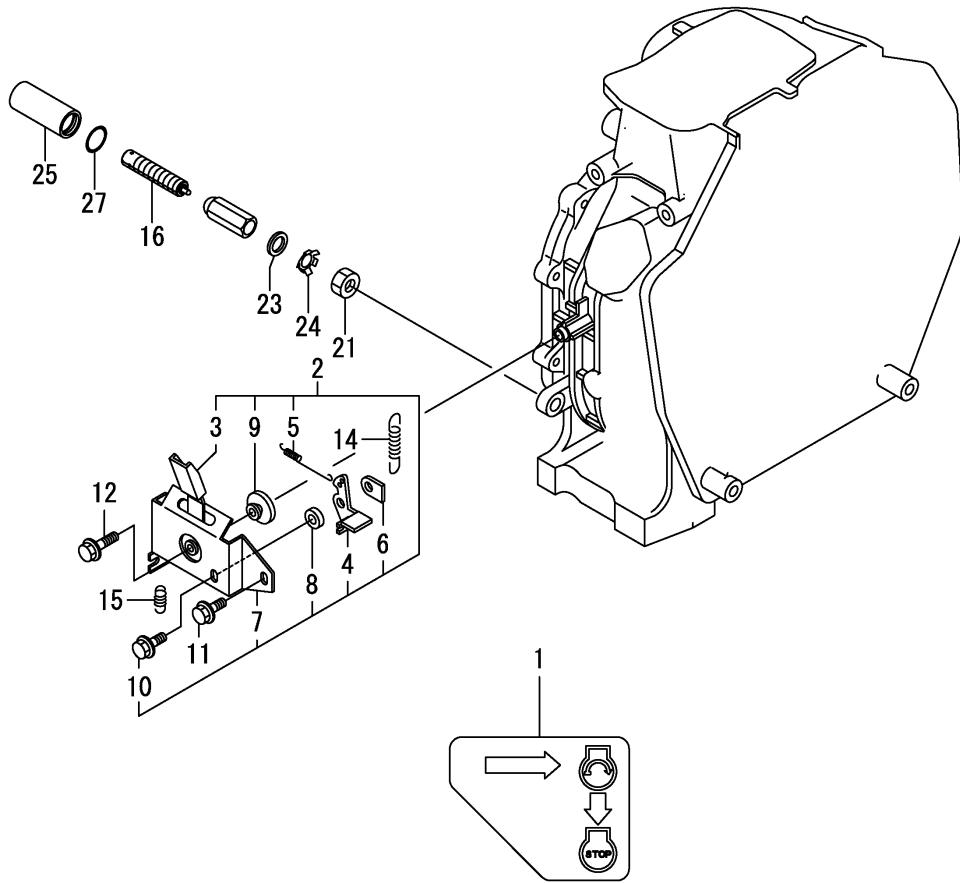
(D)=  
(E)=  
(F)=

No.	Lev.	Parts No.	Description	Q'ty						I	R
				(A)	(B)	(C)	(D)	(E)	(F)		
1	1	114250-55122	FILTER ASSY,FUEL OIL	1							
2	2	114250-55130	GASKET	1							
3	1	114299-55210	STAY, FUEL TANK A	1							
4	1	114299-55230	STAY, FUEL TANK B	1							
5	1	114240-55300	COCK ASSY, FUEL	1							
6	2	24311-000125	O-RING, 1AP12.5	1							
7	1	11412C-55710	TANK ASSY, FUEL	1							
9	2	114299-55080	PLUG, DRAIN	1							
10	2	23414-080000	GASKET, 8X1.0	1							
11	2	114299-55040	CAP ASSY, FUEL TANK	1							
12	2	114299-55110	STRAINER, FUEL TANK	1							
13	2	114740-55200	DAMPER, FUEL TANK	4							
14	1	114210-55810	BOLT, LIFTING	2							
15	1	22117-080000	WASHER, 8	1							
16	1	26106-060162	BOLT, M6X 16 PLATED	2							
17	1	26106-080452	BOLT, M8X 45 PLATED	1							
18	1	26366-060002	NUT, M6	2							
20	1	114780-59010	PIPE ASSY, FUEL L50	1							
21	2	114780-59060	PIPE, FUEL L=50	1							
22	2	23080-014000	CLAMP, 14	2							
23	1	114120-59301	PIPE ASSY, FO RETURN	1							
24	2	124722-59050	CLAMP, HOSE 9	1							
25	2	114650-59061	PIPE, FO RETURN	1							
26	2	124066-59100	CLAMP, HOSE 8	1							

Fig.19. CONTROL DEVICE

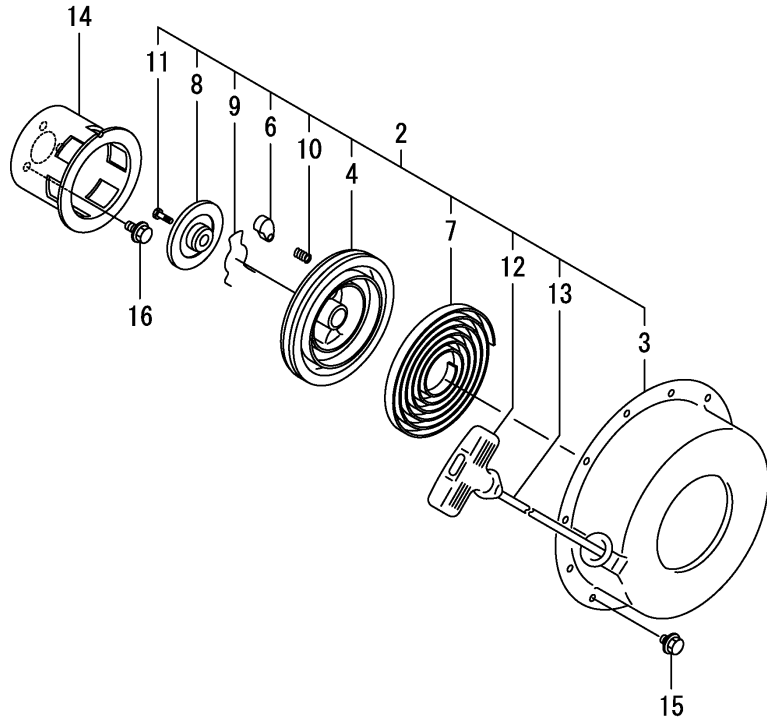
(A)=L48V5VSJ1C1AABR  
(B)=  
(C)=

(D)=  
(E)=  
(F)=



No.	Lev.	Parts No.	Description	Q'ty						I	R
				(A)	(B)	(C)	(D)	(E)	(F)		
1	1	114220-07151	LABEL, CONSTANT SPEE	1							
2	1	114210-66511	BRACKET ASSY, HANDLE	1							
3	2	114210-66300	HANDLE, REGULATOR	1							
4	2	183250-66321	LEVER, LOCK	1							
5	2	114210-66330	SPRING, LOCK LEVER	1							
6	2	183250-66341	NUT, DETENT M6	1							
7	2	114210-66350	BRACKET, HANDLE	1							
8	2	183250-66361	COLLAR, LOCK LEVER	1							
9	2	183250-66371	COLLAR, LEVER	1							
10	2	26106-060162	BOLT, M6X 16 PLATED	1							
11	1	26106-060142	BOLT, M6X 14 PLATED	1							
12	1	26106-060202	BOLT, M6X 20 PLATED	1							
14	1	114770-66010	SPRING, REGULATOR	1							
15	1	114299-66201	SPRING, RETURN	1							
16	1	114211-66600	LIMITER ASSY, FUEL	1							
21	1	26776-100002	NUT, LOCK M10	1							
23	1	114771-61800	WASHER, PLAIN 10	1							
24	1	114771-61820	PLATE	1							
25	1	114771-61900	PROTECTOR	1							
27	1	24311-000125	O-RING, 1AP12.5	1							

Fig.20. RECOIL STARTER



(A)=L48V5VSJ1C1AABR  
(B)=  
(C)=

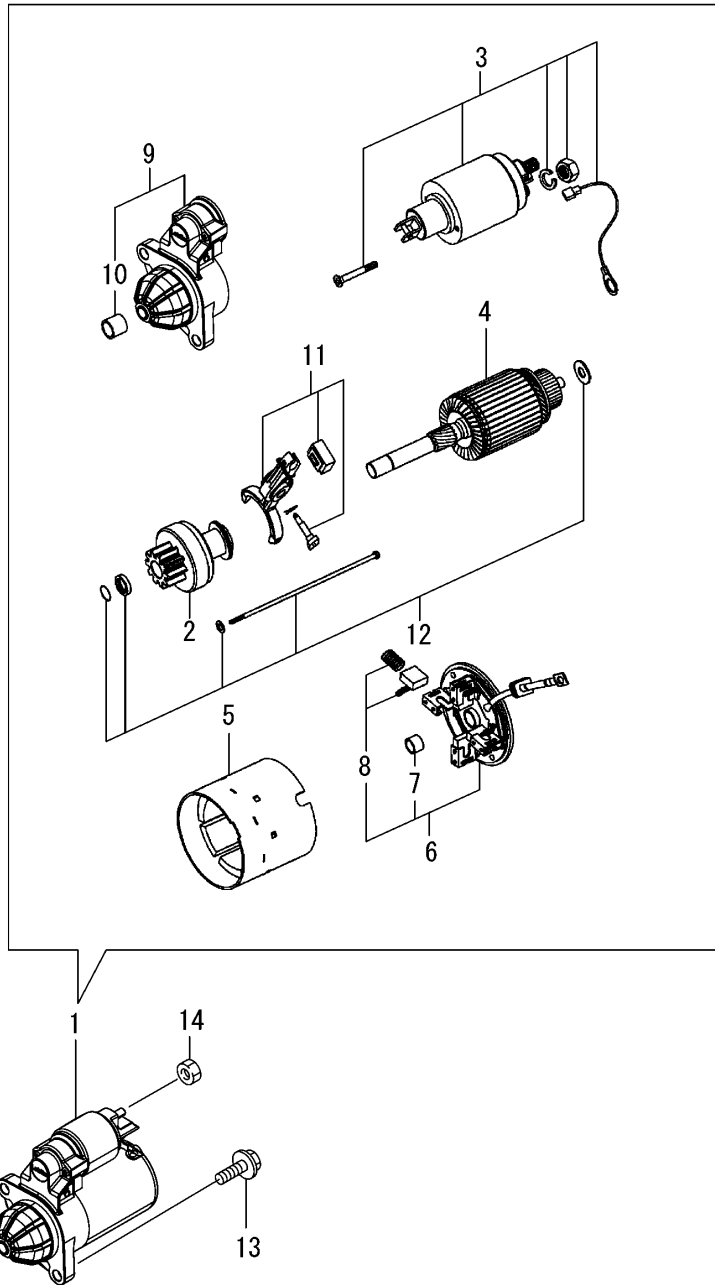
(D)=  
(E)=  
(F)=

No.	Lev.	Parts No.	Description	Q'ty						I	R
				(A)	(B)	(C)	(D)	(E)	(F)		
2	2	114299-76250	STARTER ASSY, RECOIL	1							
3	3	114299-76500	CASE, STARTER	1							
4	3	114299-76521	REEL, RECOIL STARTER	1							
6	3	114399-76531	RATCHET	1							
7	3	114399-76540	SPRING, SPIRAL	1							
8	3	114399-76550	COVER, RATCHET	1							
9	3	114399-76560	SPRING	1							
10	3	114399-76570	SPRING, RETURN	1							
11	3	114399-76580	SCREW	1							
12	3	114399-76620	KNOB, STARTER	1							
13	3	114299-76630	ROPE, STARTER	1							
14	2	114299-76590	PULLEY, STARTER	1							
15	1	26106-060082	BOLT, M6X 8 PLATED	4							
16	1	26106-060122	BOLT, M6X 12 PLATED	3							

Fig.21. STARTER MOTOR

(A)=L48V5VSJ1C1AABR  
(B)=  
(C)=

(D)=  
(E)=  
(F)=



No.	Lev.	Parts No.	Description	Q'ty						I	R
				(A)	(B)	(C)	(D)	(E)	(F)		
1	1	114320-77010	MOTOR ASSY, STARTER	1							
2	2	114399-77040	CLUTCH ASSY, PINION	1							
3	2	114399-77060	SWITCH ASSY, MAGNET	1							
4	2	114320-77110	ARMATURE ASSY	1							
5	2	114320-77130	YOKE ASSY	1							
6	2	114399-77140	COVER ASSY, REAR	1							
7	3	114399-77050	BUSH, REAR	1							
8	3	114399-77160	HOLDER ASSY, BRUSH	4							
9	2	114399-77150	CASE ASSY, GEAR	1							
10	3	114399-77030	BUSH, TOP	1							
11	2	114399-77180	LEVER KIT, SHIFT	1							
12	2	114320-77770	BOLT ASSY, THROUGH	2							
13	1	26106-100302	BOLT, M10X 30 PLATED	2							
14	1	26716-080002	NUT, M8	1							



Fig.22. ELECTRIC PARTS

(A)=L48V5VSJ1C1AABR  
 (B)=  
 (C)=

(D)=  
 (E)=  
 (F)=

No.	Lev.	Parts No.	Description	Q'ty						I	R
				(A)	(B)	(C)	(D)	(E)	(F)		
1	1	114399-77560	REGULATOR ASSY	1							
2	2	114399-77410	BRACKET, HARNESS	1							
3	2	114399-77720	REGULATOR	1							
4	3	114399-78000	FUSE, 20A	1							
5	2	26023-040102	SCREW, M4X10	2							
6	1	26106-060122	BOLT, M6X 12 PLATED	2							
7	1	26106-060202	BOLT, M6X 20 PLATED	2							

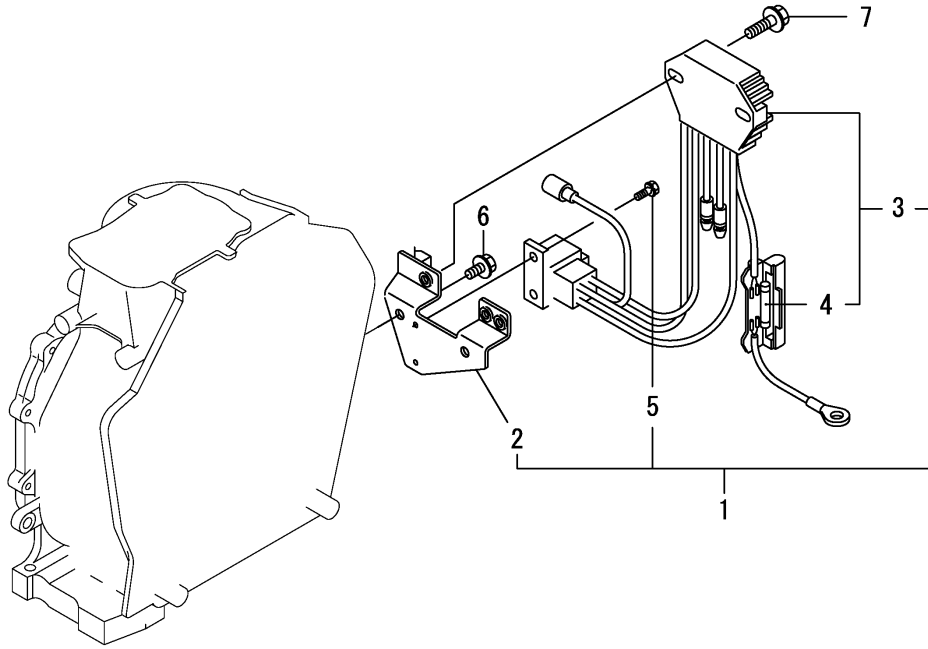
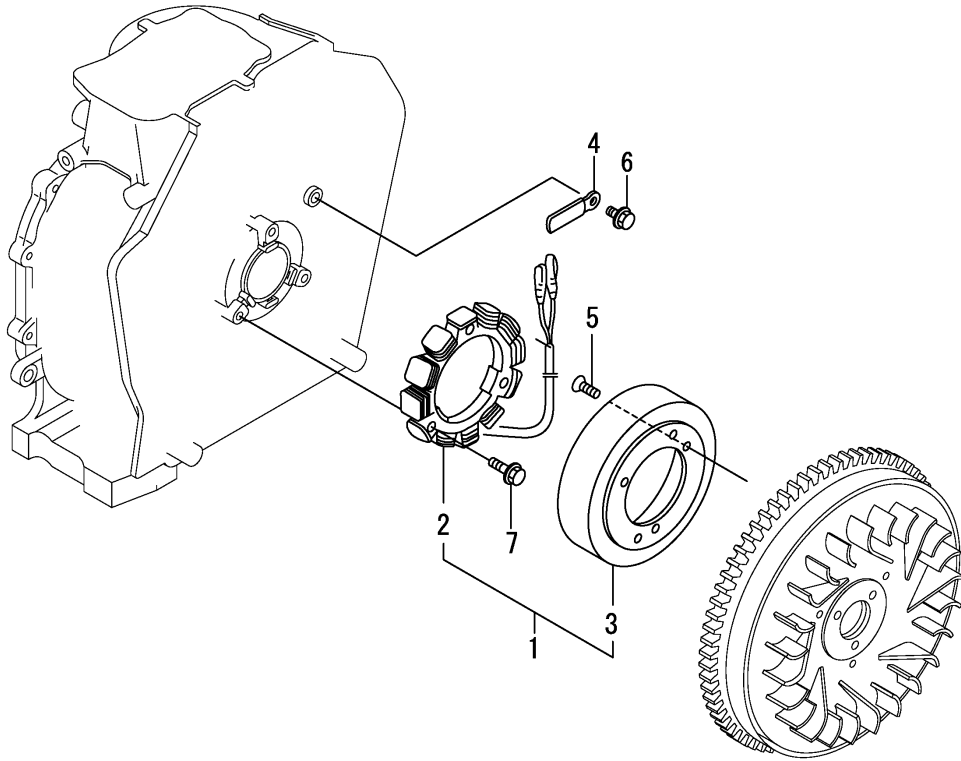


Fig.23. DYNAMO



(A)=L48V5VSJ1C1AABR  
(B)=  
(C)=

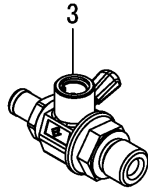
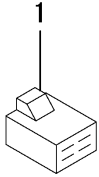
(D)=  
(E)=  
(F)=

No.	Lev.	Parts No.	Description	Q'ty						I	R
				(A)	(B)	(C)	(D)	(E)	(F)		
1	1	114399-78280	DINAMO ASSY, 15A	1							
2	2	114399-78770	STATOR ASSY	1							
3	2	114399-78780	WHEEL, DYNAMO	1							
4	1	160710-78710	CLAMP, CORD	1							
5	1	114210-78800	SCREW, M6	3							
6	1	26106-060122	BOLT, M6X 12 PLATED	1							
7	1	26106-060202	BOLT, M6X 20 PLATED	3							

Fig.24. ACCESSORY

(A)=L48V5VSJ1C1AABR  
 (B)=  
 (C)=

(D)=  
 (E)=  
 (F)=

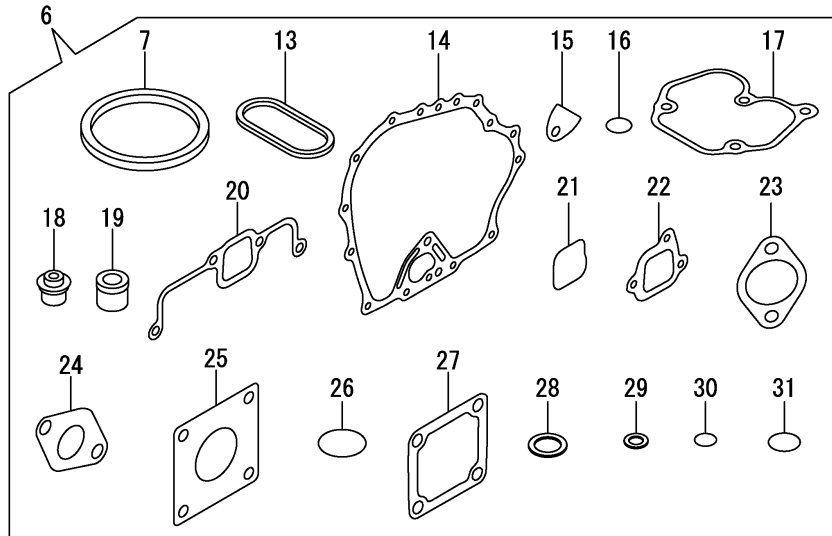
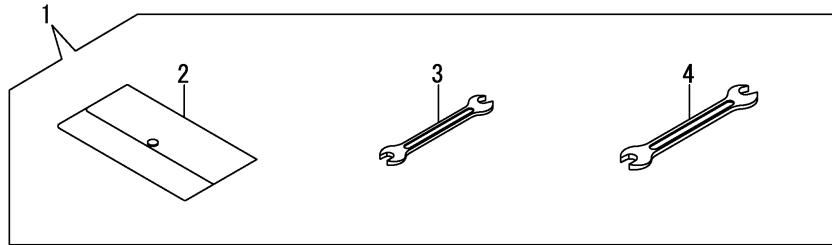


No.	Lev.	Parts No.	Description	Q'ty						I	R
				(A)	(B)	(C)	(D)	(E)	(F)		
1	1	114351-77520	COUPLER	1							
3	1	1141A0-01650	OIL, DRAIN TAP	1							

Fig.25. GASKET SET & TOOL

(A)=L48V5VSJ1C1AABR  
(B)=  
(C)=

(D)=  
(E)=  
(F)=



No.	Lev.	Parts No.	Description	Q'ty						I	R
				(A)	(B)	(C)	(D)	(E)	(F)		
1	1	114299-92590	TOOL ASSY	1							
2	2	114299-92600	BAG, TOOL	1							
3	2	114299-92710	WRENCH	1							
4	2	114299-92720	WRENCH	1							
6	1	114120-92600	GASKET SET	1							1
7	2	114295-01330	GASKET, HEAD	1							
13	2	114299-01380	O-RING	1							
14	2	114299-01410	GASKET, CRANK CASE	1							
15	2	114250-01841	GASKET, COVER	1							
16	2	114299-01950	O-RING, 18	2							
17	2	114771-11310	GASKET, BONNET	1							
18	2	114250-11341	SEAL, VALVE STEM	2							
19	2	114771-11461	GASKET, NOZZLE	1							
20	2	114771-12200	GASKET, INTAKE PIPE	1							
21	2	114288-12210	O-RING, SUCTION PIPE	1							
22	2	114299-12210	GASKET, AIR CLEANER	2							
23	2	114299-12920	GASKET, AIR CLEANER	1							
24	2	114299-13200	GASKET, MUFFLER	1							
25	2	114299-21980	GASKET, OIL SEAL	1							
26	2	114299-32570	O-RING, PUMP COVER	1							
27	2	129100-77510	GASKET, AIR HEATER	3							
28	2	22190-160002	WASHER, SEAL 16	2							
29	2	23414-080000	GASKET, 8X1.0	1							
30	2	24341-000150	O-RING, 1AS15.0	1							
31	2	24341-000224	O-RING, 1AS22.4	1							

Remarks

(1)Optional parts.

## Parts No. Index

Parts No.	Fig. No.	Ref. No.
105546-51020	17	2
105546-51330	17	8
114110-11910	4	27
114110-23200	11	28
114111-01460	1	39
114120-11120	4	8
114120-12550	6	3
114120-14400	8	8
114120-45330	16	5
114120-59301	18	23
114120-59800	17	65
114120-92600	25	6
11412C-23700	11	24
11412C-55710	18	7
114139-53100	17	25
1141A0-01010	1	1
1141A0-01650	24	3
1141A0-13500	7	2
1141A0-13560	7	3
1141A0-53000	17	33
114210-55810	18	14
114210-66300	19	3
114210-66330	19	5
114210-66350	19	7
114210-66511	19	2
114210-78800	23	5
114211-66600	19	16
114220-07100	3	4
114220-07110	3	6
114220-07130	3	13
114220-07151	3	15
	19	1
114240-11450	4	23
114240-11550	4	24
114240-55300	18	5
114250-01841	1	32
	25	15
114250-02113	1	51
114250-03591	4	37
114250-11180	4	9
114250-11240	4	14
	18	
114250-11341	4	21
	25	18
114250-12520	6	4
114250-12530	6	5
114250-12550	6	8
114250-12560	6	6
114250-12570	6	3 -1
114250-12581	6	7

Parts No.	Fig. No.	Ref. No.
114250-32010	13	1
114250-51080	17	3
114250-51160	17	4
114250-51300	17	5
114250-51340	17	9
114250-51500	17	18
114250-51640	17	19
114250-51650	17	20
114250-53080	17	24
114250-53120	17	30
114250-53130	17	31
114250-53140	17	32
114250-53210	17	36
114250-55122	18	1
114250-55130	18	2
114252-13950	7	7
114288-12210	25	21
114295-01330	1	10
	25	7
114295-11951	4	35
114295-45150	16	1
114295-61170	13	17
114299-01200	1	5
114299-01210	1	6
114299-01220	1	7
114299-01230	1	8
114299-01380	1	16
	25	13
114299-01410	1	38
	25	14
114299-01600	1	17
114299-01690	2	1
114299-01760	2	2
114299-01800	1	18
114299-01830	1	31
114299-01950	2	4
	25	16
114299-02030	1	50
114299-02220	1	52
114299-03640	4	40
114299-07101	3	5
114299-07111	3	7
114299-07160	3	8
114299-11600	4	25
114299-11901	4	26
114299-12210	6	1
	25	22
114299-12300	6	2
114299-12920	25	23
114299-13200	7	1

Parts No.	Fig. No.	Ref. No.
114299-13200	25	24
114299-14200	8	6
114299-21220	10	1
114299-21550	10	2
114299-21590	10	3
114299-21600	10	6
114299-21980	25	25
114299-22300	11	9
114299-32070	13	7
114299-32570	13	8
	25	26
114299-35110	13	12
114299-35150	1	44
114299-45210	15	1
114299-45301	16	3
114299-45310	16	4
114299-45350	16	6
114299-55040	18	11
114299-55080	18	9
114299-55110	18	12
114299-55210	18	3
114299-55230	18	4
114299-61190	13	22
114299-61210	13	24
114299-61600	13	31
114299-61700	13	23
114299-66201	19	15
114299-76250	20	2
114299-76500	20	3
114299-76521	20	4
114299-76590	20	14
114299-76630	20	13
114299-92590	25	1
114299-92600	25	2
114299-92710	25	3
114299-92720	25	4
11429C-11030	4	1
11429C-11100	4	6
11429C-11110	4	7
11429C-11250	4	10
11429C-11260	4	11
11429C-11650	4	12
11429C-11660	4	16
11429C-14590	8	1
11429C-14600	8	1 -1
114320-77010	21	1
114320-77110	21	4
114320-77130	21	5
114320-77770	21	12
114350-51200	17	11

Parts No.	Fig. No.	Ref. No.
114351-77520	24	1
114399-76531	20	6
114399-76540	20	7
114399-76550	20	8
114399-76560	20	9
114399-76570	20	10
114399-76580	20	11
114399-76620	20	12
114399-77030	21	10
114399-77040	21	2
114399-77050	21	7
114399-77060	21	3
114399-77140	21	6
114399-77150	21	9
114399-77160	21	8
114399-77180	21	11
114399-77410	22	2
114399-77560	22	1
114399-77720	22	3
114399-78000	22	4
114399-78280	23	1
114399-78770	23	2
114399-78780	23	3
1143A0-13700	7	5
1143A0-13710	7	6
114650-59061	18	25
114740-02110	1	42
114740-02200	1	47
114740-02210	1	48
114740-23600	11	29
114740-23610	11	31
114740-23620	11	33
114740-23910	11	35
114740-55200	18	13
114770-61520	13	30
114770-61610	13	32
114770-66010	19	14
114771-11310	4	34
	25	17
114771-11461	25	19
114771-12010	5	1
114771-12200	5	2
	25	20
114771-14260	8	7
114771-21700	9	1
114771-61800	19	23
114771-61820	19	24
114771-61900	19	25
114780-59010	18	20
114780-59060	18	21

## Parts No. Index

Parts No.	Fig. No.	Ref. No.
119260-11370	4	22
119803-53400	17	37
124066-59100	18	26
124550-51350	17	10
124722-59050	18	24
124950-01250	1	9
129100-61850	15	4
129100-77510	25	27
160210-02220	1	53
160310-14550	8	10
160710-78710	23	4
183250-66321	19	4
183250-66341	19	6
183250-66361	19	8
183250-66371	19	9
22117-080000	18	15
22190-160002	2	5
	25	28
22242-000120	4	20
22252-000190	11	10
22312-030160	4	43
	13	9
22312-040080	1	33
22322-030200	13	33
22351-020006	17	17
22351-025005	17	29
22351-030008	17	21
22351-040008	4	28
22512-040120	10	7
22512-050300	8	11
23080-014000	18	22
23414-080000	18	10
	25	29
23876-010000	14	1
24101-062020	12	6
24101-062050	1	54
24162-152112	1	55
24311-000125	18	6
	19	27
24341-000150	25	30
24341-000224	13	14
	25	31
26023-040102	22	5
26106-060082	20	15
26106-060122	13	10
	15	2
	20	16
	22	6
	23	6
26106-060142	19	11

Parts No.	Fig. No.	Ref. No.
26106-060162	13	15
	18	16
	19	10
26106-060202	19	12
	22	7
	23	9
26106-060252	1	45
	5	4
26106-060452	4	29
26106-060552	4	46
26106-080122	1	56
26106-080202	7	8
	8	12
26106-080352	1	46
26106-080452	18	17
26106-100302	21	13
26216-080182	7	10
26226-060142	5	5
26226-060182	1	34
26226-060222	1	35
26226-060602	5	6
26306-080002	7	11
26366-060002	1	36
	4	30
	18	18
26716-080002	21	14
26776-100002	19	21
26856-060002	4	15
		19
27310-055001	4	31
714120-22590	11	17
714120-22630	11	11
714120-22720	11	1
714139-51210	17	1
7141A0-53100	17	23
714295-22500	11	3
714295-22560	11	13
714295-22570	11	19
714770-28531	12	1

Parts No.	Fig. No.	Ref. No.
-----------	----------	----------

Parts No.	Fig. No.	Ref. No.
-----------	----------	----------