

40M

Item	Part no	Serial no	Description	Qty
------	---------	-----------	-------------	-----

### \$ From gearbox batch no. B1238.

When replacing layshaft 30101A0223 on gearboxes prior to batch no B1238, layshaft assembly 30101A0268 should be ordered.

This replaces the previous layshaft 30101A0223 and bush 30101A0244.

(Gearbox oil capacity becomes 2 litres - previously .85 litres).

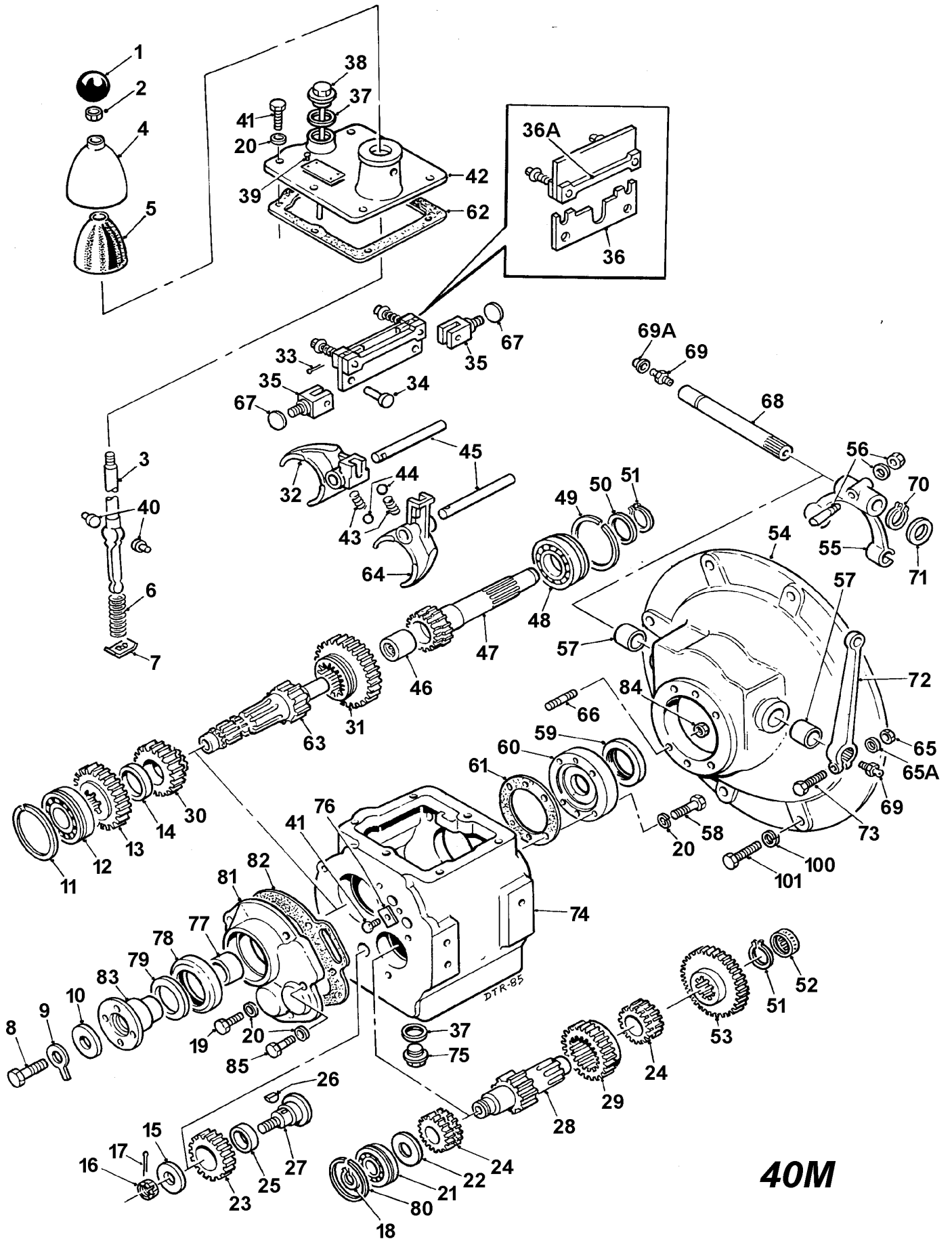
### # From gearbox serial no. 0155335 (Apr 1993)

Needle roller bearing (item 52) changed from an imperial to a metric dimension.

This change also affects the Layshaft (item 28) and Casing (item 74).

See *Layshaft Kit (item 28)*

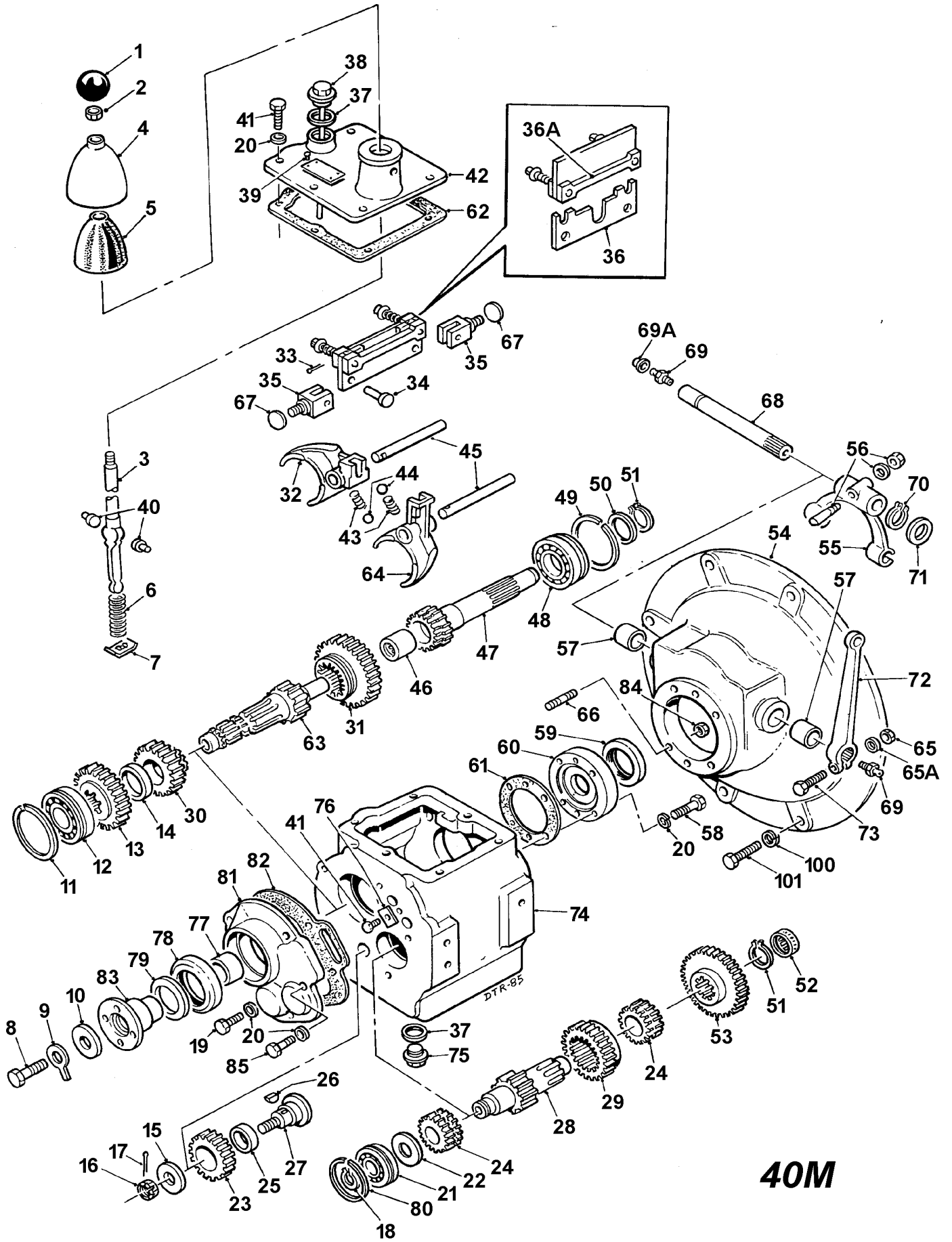
-	30101A03	/ Jun-86	GEARBOX, assembly, <b>Petter engine</b> (with straight gear lever)	1
-	30101A02	/ Jun-86	GEARBOX, assembly, <b>Lister engine</b> (with straight gear lever)	1
-	30101A09	JUN 86/	GEARBOX, assembly (with cranked gear lever)	1
1	30101A0201		KNOB, gear lever	1
2	95S03		NUT, locking	
3	20097A07	/ Jun-86	LEVER, gear, straight, <b>Lister engine</b>	1
3	20097A06	/ Jun-86	LEVER, gear, straight, <b>Petter engine</b>	1
3	30101A0901	JUN 86/	LEVER, gear, cranked	1
4	30101A0203		CAP, gear lever	1
5	30101A0204		COVER, gear lever	1
6	30101A0205		SPRING, gear lever	1
7	30101A0206		PLATE, gear lever retaining	1
8	28S05E		BOLT	1
9	30101A0207		WASHER, tab	1
10	30101A0208		WASHER	1
11	30101A0209		RING, snap	1
12	88S06E		BEARING, mainshaft, rear	1
13	30101A0211		GEAR, output	1
14	30101A0212		SPACER, output gear	1
15	30101A0213		WASHER, reverse pinion shaft	1
16	102S04		NUT, slotted	1
17	44S02C		PIN, split	1
18	30218A0206		CIRCLIP	1



**GEARBOX (with Newage axle)**

**C - 1**

Item	Part no	Serial no	Description	Qty
19	28S01D		BOLT	3
20	30039A0169		WASHER, 'Nyltite'	9
21	30101A0216		BEARING, layshaft	1
22	30101A0217		SPACER, bearing	1
23	30101A0218		PINION, reverse	2
24	30101A0219		GEAR, reverse speed	2
25	30101A0220		BUSH, reverse pinion	1
26	30101A0221		KEY, reverse pinion shaft	1
27	30101A0222		SHAFT, reverse pinion	1
28	30101A0223	/ \$	LAYSHAFT	1
28	30101A0268	\$ / 0155334 #	LAYSHAFT, Kit ( <i>Imperial</i> ) ( <i>Kit includes items: 28, 37, 38, 52</i> )	1
28	30101A0280	0155335 /	# LAYSHAFT, ( <i>Metric</i> )	1
29	30101A0224		GEAR, 2nd speed, sliding	1
30	30101A0225		GEAR, 2nd speed	1
31	30101A0226		GEAR, 1st speed	1
32	30101A0227		FORK, 2nd & 3rd selector	1
33	44S02C		PIN, split, interlock	2
34	30101A0228		PIN, clevis, interlock	2
35	30101A0229		STUD, interlock	2
36	30101A0230		PLATE, interlock	1
37	30101A0231		WASHER, sealing	2
38	30101A0232	/ \$	DIPSTICK, 163mm rod	1
38	30218A0223	\$ / 0155334	DIPSTICK, 93mm rod	1
38	30218A0248	0155335 /	# DIPSTICK, 137mm rod	1
39	30101A0233		SCREW, drive	4
40	30101A0234		PAD, gear lever	2
41	28S01C		BOLT	7
42	30101A0235		COVER, top	1
43	30097A0185		SPRING, detent	2
44	30097A0199		BALL, detent	2
45	30101A0237		SHAFT, selector	2
46	30101A0238		BEARING, primary shaft ( <i>part of iter.</i> )	1
47	30101A0239		SHAFT, primary ( <i>with item 46</i> )	1
48	30101A0240		BEARING, input	1
49	30101A0241		RING, snap	1
50	30101A0242		SPACER, bearing	1
51	30101A0243		CIRCLIP	2
52	30101A0244	/ \$	BUSH, layshaft	1
52	30101A0267	\$ / 0155334 #	BEARING ( <i>Imperial</i> ), layshaft	1
52	30101A0279	0155335 /	# BEARING ( <i>Metric</i> ), layshaft	1



40M

**GEARBOX (with Newage axle)**

**C - 1**

Item	Part no	Serial no	Description	Qty
53	30101A0245		GEAR, 1st reduction	1
54	30101A0246		HOUSING, clutch	1
55	30097A0110		FORK, clutch release	1
56	30097A0111		NUT, WASHER & COTTER PIN	1
57	30097A0114		BUSH, cross shaft	2
58	6S01A		BOLT, front cover	4
59	30101A0247		SEAL, oil ( <i>part of item 60</i> )	1
60	30101A0248		COVER, front ( <i>with item 59</i> )	1
61	30101A0249		GASKET, front cover	1
62	30101A0250		GASKET, top cover	1
63	30101A0251		SHAFT, main	1
64	30101A0252		FORK, selector, 1st & reverse	1
65	9S01		NUT, clutch lever	1
65A	67S01		WASHER, <b>use 30039A0169</b>	1
65A	30039A0169		WASHER	1
66	30101A0253		STUD, clutch housing	6
67	30101A0254		PLUG	3
68	30101A0255		SHAFT, cross, clutch	1
69	131S06		NIPPLE, grease	2
70	30101A0256		CIRCLIP	1
71	30097A0133		WASHER, cross shaft	1
72	30097A0109		LEVER, clutch release	1
73	6S01C		BOLT, clutch lever	1
74	30101A0258	/ 0155334	# CASING, gearbox	1
74	30101A0281	0155335 /	# CASING, gearbox	1
75	30097A0163		PLUG, drain	1
76	30101A0259		STRIP, selector locking	1
77	30101A0260		SPACER	1
78	89S02		SEAL, oil, rear	1
79	30101A0265		SHIELD, dust ( <i>part of item 83</i> )	1
80	30101A0261		RING, snap	1
81	30101A0262		COVER, output	1
82	30101A0263		GASKET, output cover	1
83	30101A0264		FLANGE "1310" output ( <i>see item 79</i> )	1
84	107S03		NUT, clutch housing	6
85	6S01B		BOLT	2
90	44S01C		PIN, split	2
100	41S05		WASHER, spring, Imperial	8
100	17S05		WASHER, spring, Metric	8
101	66S03A		BOLT, gearbox- <i>Lister engine, UNC</i>	8
101	11S04C		BOLT, gearbox- <i>Lister engine, Metric</i>	8
101	3S03E		BOLT, gearbox- <i>Petter engine, Imperial</i>	8