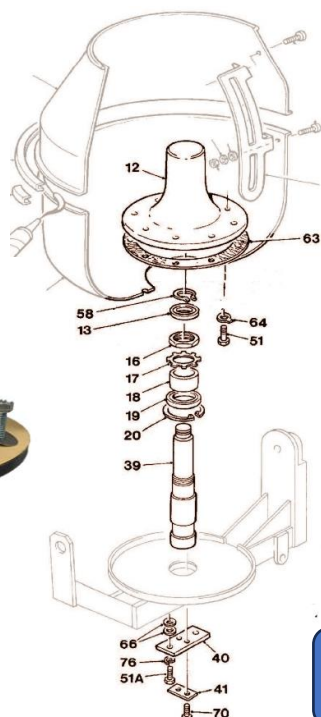


To save your workshop time and money, we are pleased to offer the below sub-assemblies, all built & tested on our production line in Bolton, UK. Simply make a note of the part number you need and click [here](#) to enquire.



**Drum Centre Assembly** Precision machined "Top Hat" casting with fully dressed shaft. Supplied with new gasket and all necessary fixings & fasteners. Simply remove old assembly and fix in-place.

Supplied with Drive Gear, please quote **V603699**.  
Without Gear, please quote **V603699A**



Enquire Now

**Drum Assemblies\*** : Choose from either a clipped & welded drum & blade set or opt for a quick fix with a complete, new drum & drum drive assembly.

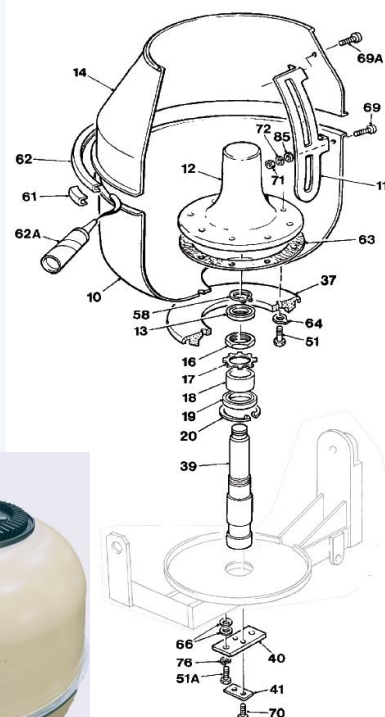


Drum & Blade Set :

100T **V603961**  
150T **V603962**  
175T **V603963**

Complete drum with centre hub, shaft and gear :

100T - **V603696**  
150T - **V603953**  
175T - **V603948**



\* Supplied in primer as standard. Gloss finish available if required.

To save you time and money, we are pleased to offer the below sub-assemblies, all built & tested on our production line in Bolton, UK. Simply make a note of the part number you need and click [here](#) to enquire.



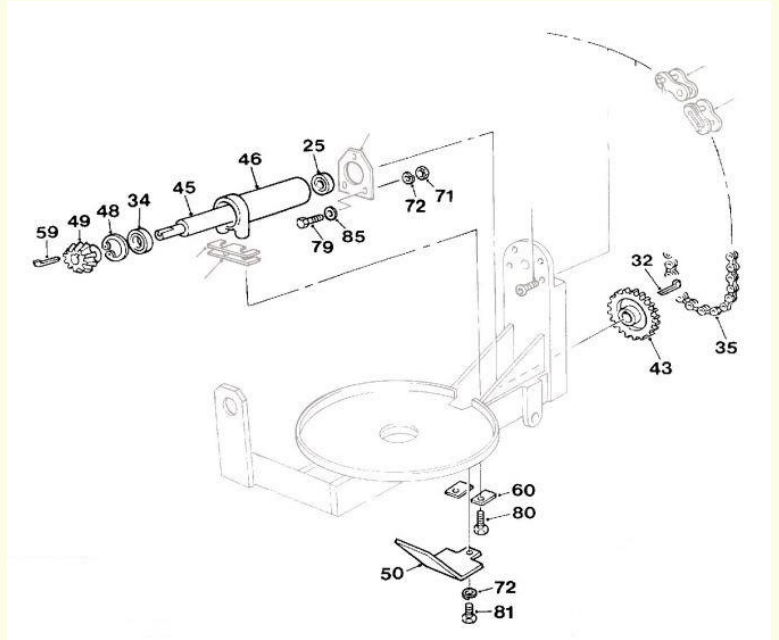
### Drum Drive Assembly

**(Lower)** New drive pinion with fully dressed shaft, cast housing, sprocket & chain.

Please quote following part numbers :

100T – **V603698**

150T & 175T – **V603955**



Enquire Now

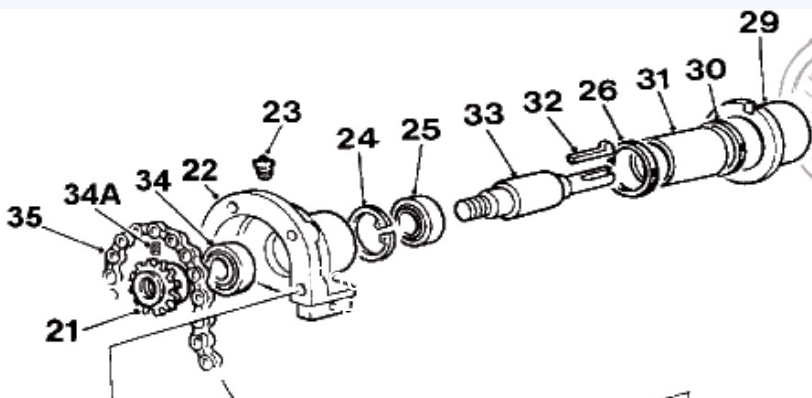
### Top Drive Assembly

Complete Countershaft, journal casting, sprocket & chain.

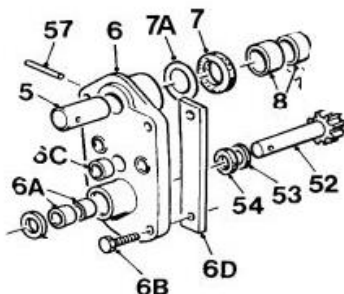
Please quote following part numbers :

100T – **V603697**

150T & 175T – **V603956**



To save you time and money, we are pleased to offer the below sub-assemblies, all built & tested on our production line in Bolton, UK. Simply make a note of the part number you need and click [here](#) to enquire.



**Tilting Pinion Assembly for Handwheel** Complete castings assembly with pinion, stub pin and all bushes and bearings (fully lubricated).

Please quote **V603957**. Suitable for all 100T, 150T & 175T Mixers

Enquire Now



**Filter & Belt Service Kit** Genuine Yanmar Air, Fuel & Oil Filters + Original Drive Belt.

Please quote following part numbers :  
100T – **V603700**  
150T & 175T – **V603958**